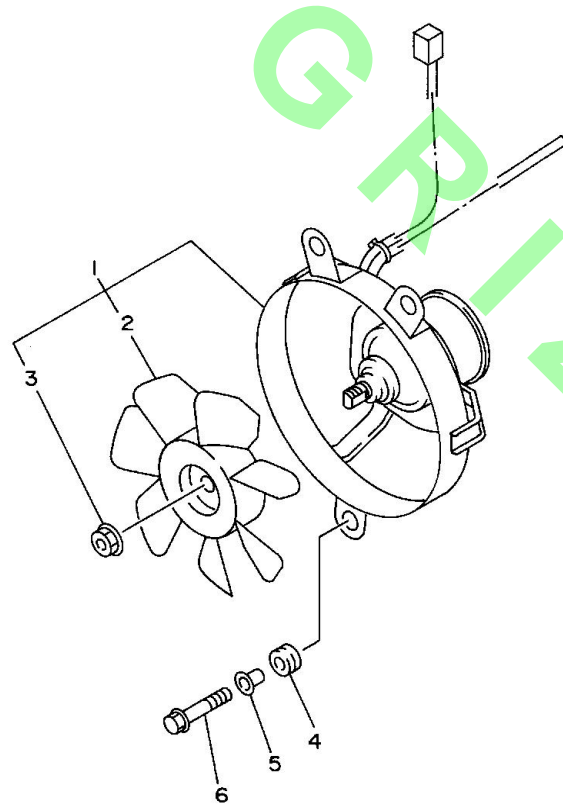


Fig. 06 BLOWER

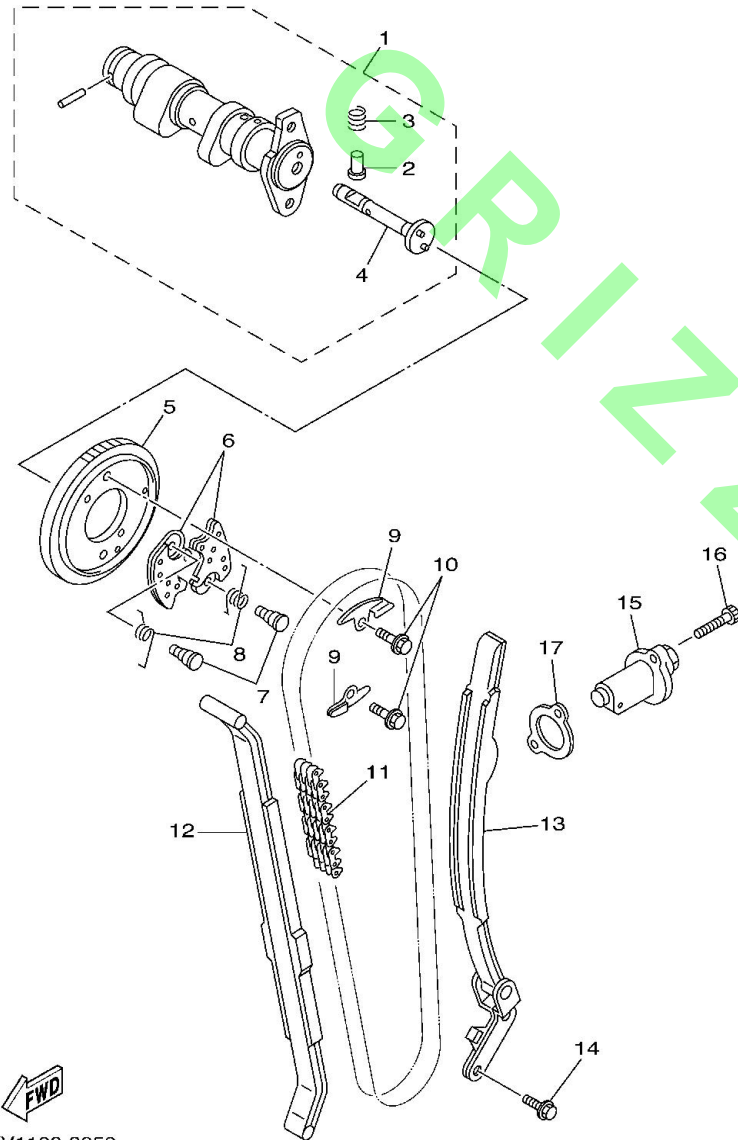


Ref. No.	Part No.	Description	Quantity	Remarks
1	5GT-12405-00	BLOWER ASSY	1	
2	4SH-12611-00	. FAN	1	
3	33M-12671-00	. NUT 1	1	
4	90480-14229	GROMMET	3	
5	90387-063E6	COLLAR	3	
6	95807-06025	BOLT, FLANGE	3	



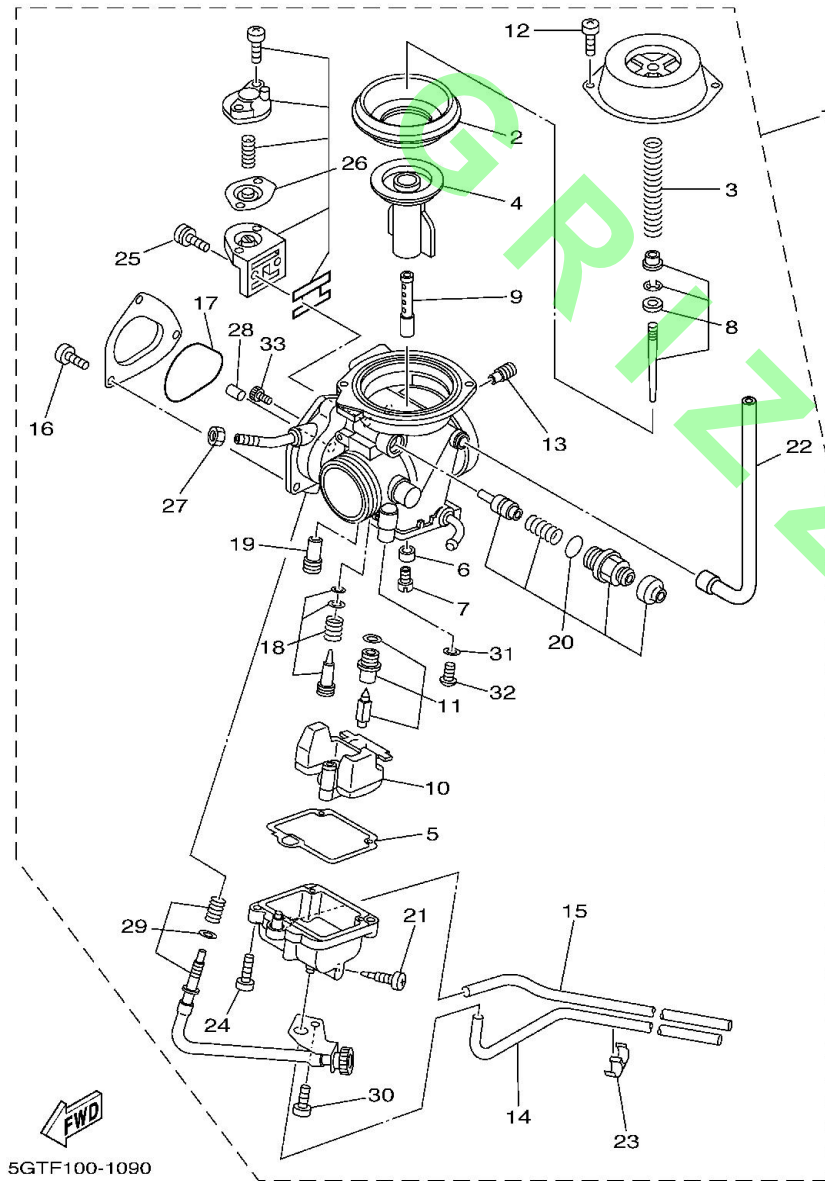
4SH1100-6060

Fig. 05 CAMSHAFT & CHAIN



Ref. No.	Part No.	Description		Remarks
1	4WV-12170-00	CAMSHAFT ASSY 1	1	
2	3YF-12284-00	. PIN, DECOMPRESSION LEVER	1	
3	90501-051L0	. SPRING, COMPRESSION	1	
4	3YF-12290-00	. LEVER, DECOMPRESSION SPRING	1	
5	3YF-12176-00	SPROCKET, CAM CHAIN	1	
6	4WV-12288-00	CAM, DECOMPRESSION	2	
7	3YF-12247-00	SHAFT, TENSIONER	2	
8	3YF-12216-00	SPRING	2	
9	4WV-12233-00	PLATE, GUIDE STOPPER 1	2	
10	90105-07342	BOLT, FLANGE	2	
11	94590-27126	CHAIN (75-010-126L)	1	
12	34K-12231-00	GUIDE, STOPPER 1	1	
13	34K-12241-00	GUIDE, STOPPER 2	1	
14	90105-060A6	BOLT, FLANGE	2	
15	3TB-12210-00	TENSIONER ASSY, CAM CHAIN	1	
16	90110-06225	BOLT, HEXAGON SOCKET HEAD	2	
17	4DW-12213-00	GASKET, TENSIONER CASE	1	

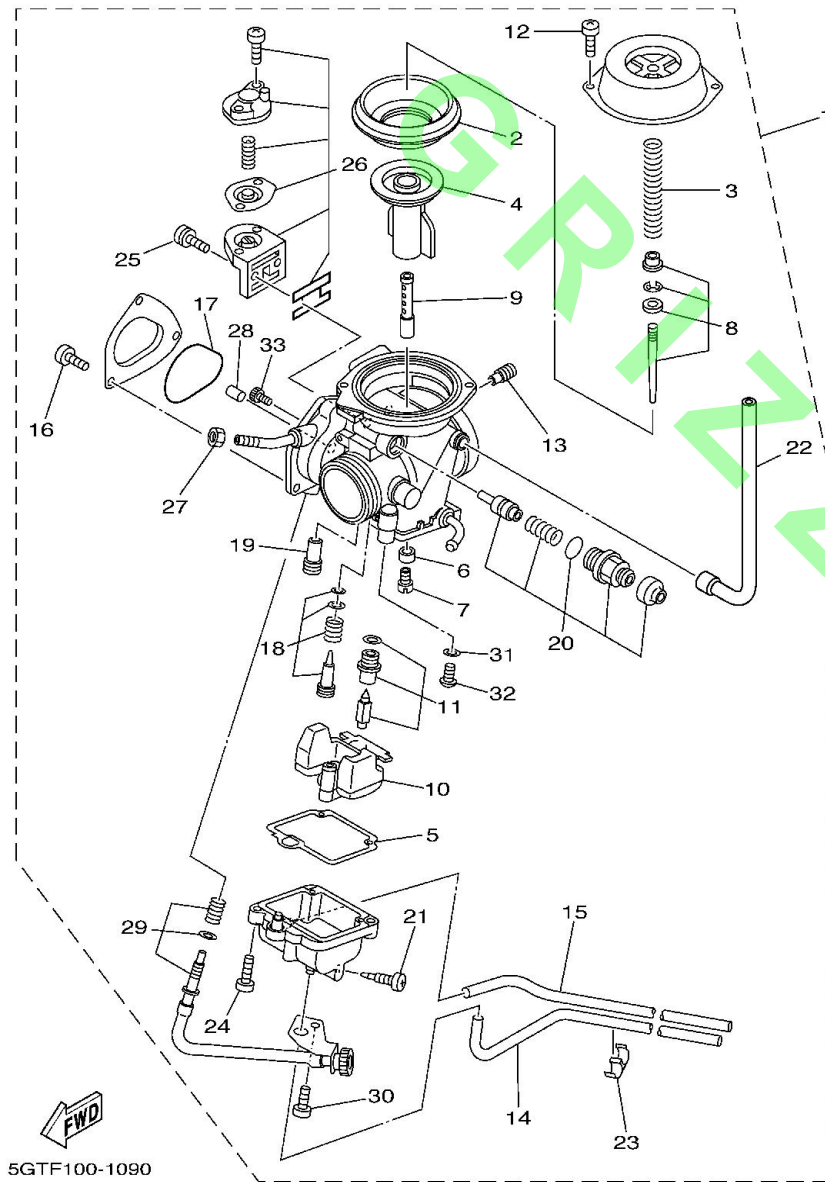
Fig. 09 CARBURETOR



5GTF100-1090

Ref. No.	Part No.	Description		Remarks
1	5GT-14901-00	CARBURETOR ASSY 1	1	
2	4WV-24411-00	. DIAPHRAGM	1	
3	4WV-14933-00	. SPRING, DIAPHRAGM	1	
4	4WV-14272-00	. VALVE	1	
5	4WV-14147-20	. O-RING	1	
6	4WV-14918-00	. RING	1	
7	620-1423E-57	. JET, MAIN (#143.8)	1	
8	5GT-1490J-00	. NEEDLE SET	1	
9	4WV-14941-90	. NOZZLE, MAIN	1	
10	4WV-14985-00	. FLOAT	1	
11	4WV-14190-28	. NEEDLE VALVE ASSY	1	
12	98502-05008	. SCREW, PAN HEAD	2	
13	239-14172-07	. PILOT JET, AIR (0.7)	1	
14	4WV-14996-00	. PIPE	1	
15	4WV-14193-00	. PIPE	1	
16	98502-04006	. SCREW, PAN HEAD	3	
17	4WV-14147-10	. O-RING	1	
18	4WV-14105-01	. PILOT SCREW SET	1	
19	4HR-14142-42	. JET, PILOT (# 42.5)	1	
20	4WV-1410A-00	. STARTER SET	1	
21	12R-14191-00	. PLUG, DRAIN	1	
22	4WV-14197-00	. PIPE	1	
23	87M-14137-00	. CLIP	1	
24	98502-05014	. SCREW, PAN HEAD	2	
25	97602-04112	. SCREW, PAN HEAD WITH WASHER	2	
26	4WV-14940-00	. DIAPHRAGM ASSY	1	
27	522-14161-00	. NUT, CABLE ADJUSTING	1	

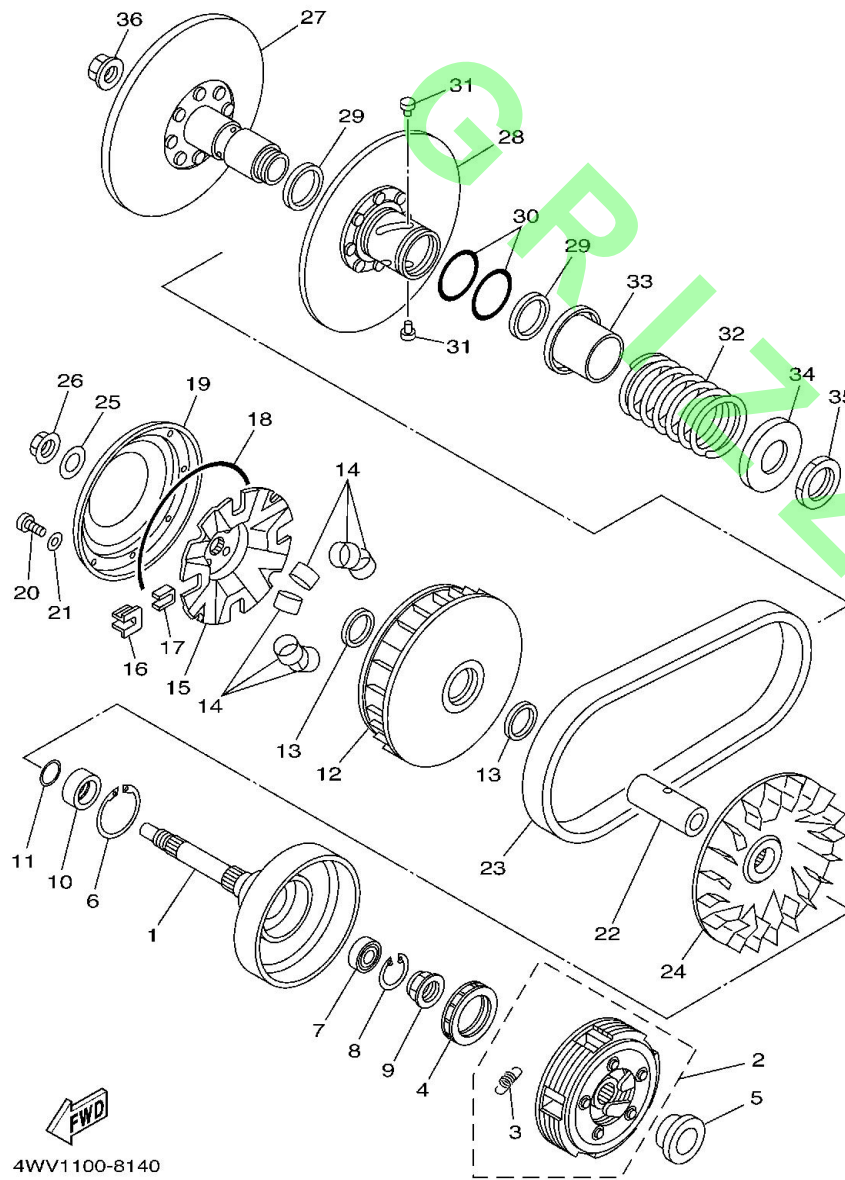
Fig. 09 CARBURETOR



5GTF100-1090

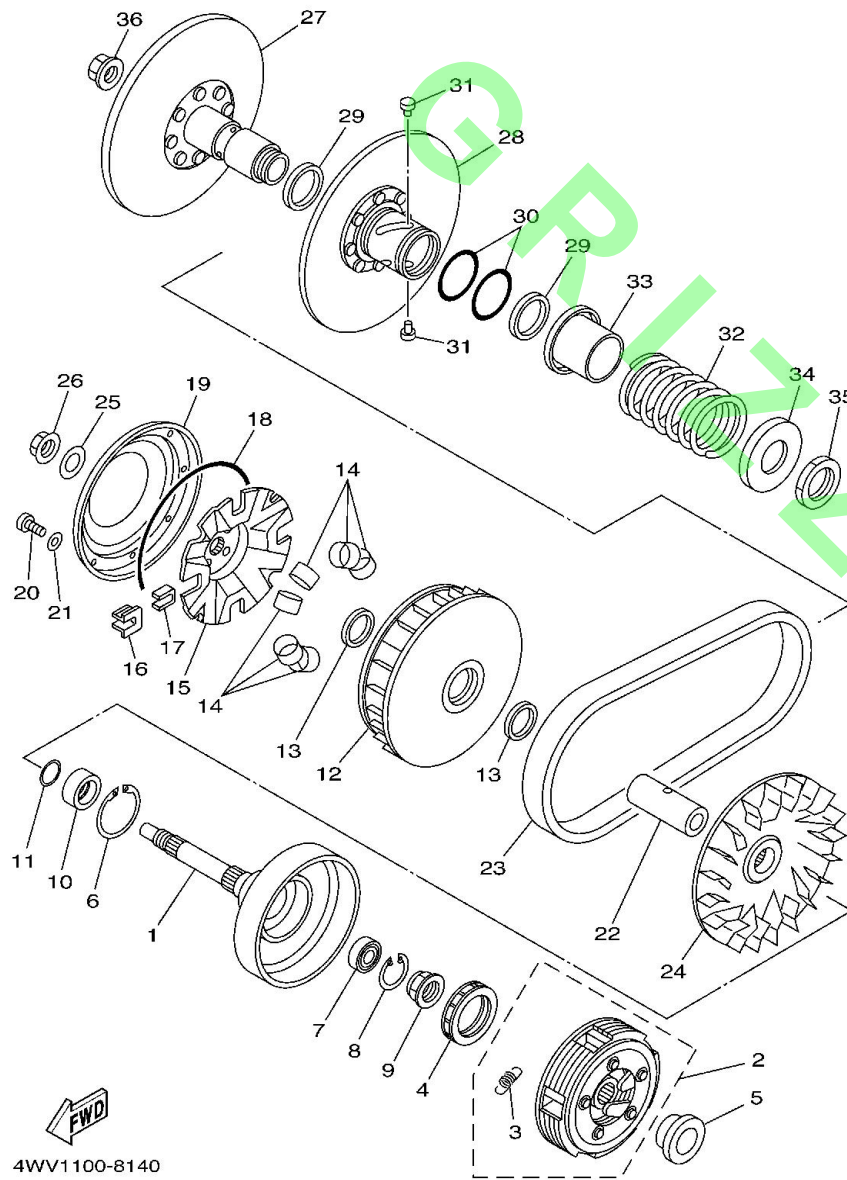
Ref. No.	Part No.	Description		Remarks
	28 1UY-14155-00	. GUIDE, CABLE	1	
	29 4WV-14103-01	. THROTTLE SCREW SET	1	
	30 98502-05010	. SCREW, PAN HEAD	1	
	31 2H7-14952-00	. WASHER	2	
	32 92502-08014	. SCREW, PAN HEAD	2	
	33 5GH-14592-00	. SCREW	2	

Fig. 14 CLUTCH



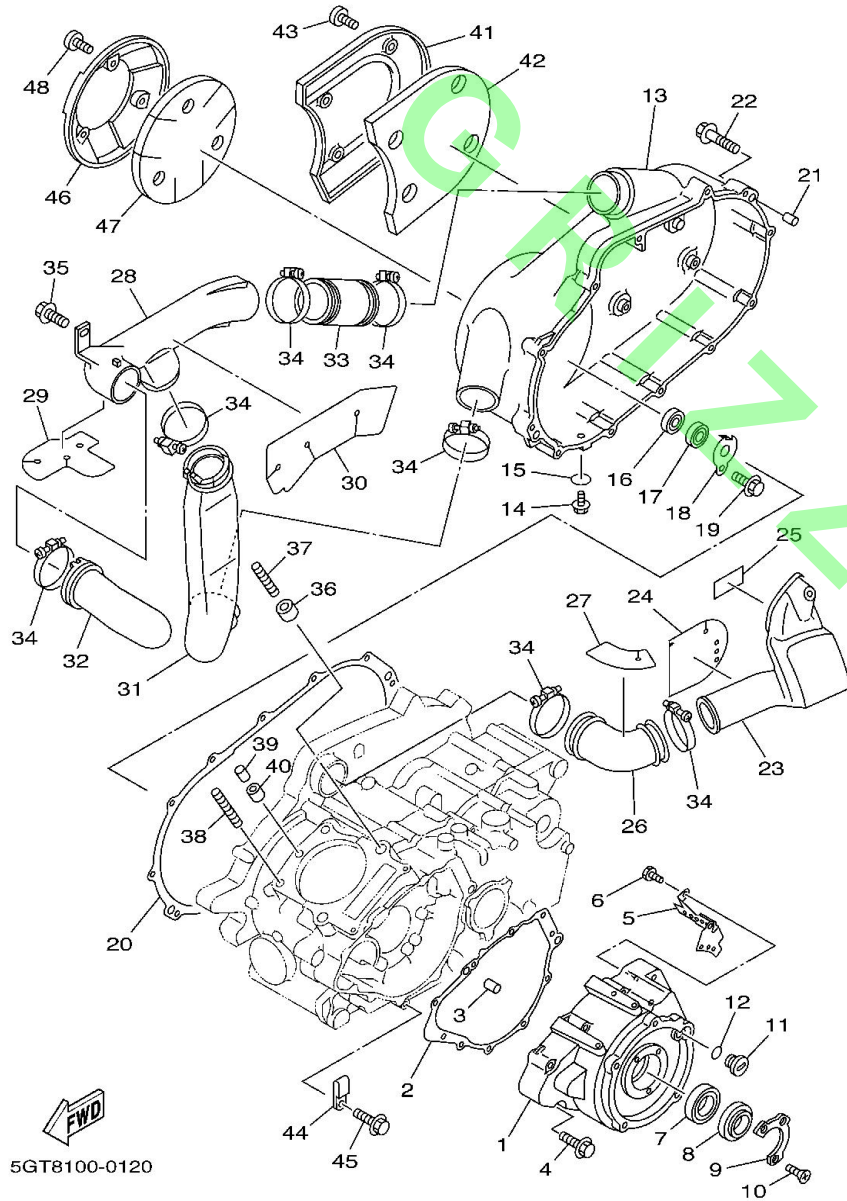
Ref. No.	Part No.	Description		Remarks
1	5GT-16611-00	CLUTCH HOUSING COMP.	1	
2	5GT-16620-00	CLUTCH CARRIER ASSY	1	
3	4WV-16626-00	. SPRING, CLUTCH WEIGHT 1	5	
4	4SH-16664-00	BEARING, ONE WAY	1	
5	90387-2611Y	COLLAR	1	
6	93410-46079	CIRCLIP	1	
7	93306-20228	BEARING	1	
8	99009-35500	CIRCLIP	1	
9	90179-22640	NUT	1	
10	90387-2508C	COLLAR	1	
11	93210-25755	O-RING	1	
12	4WV-17620-10	PRIMARY SLIDING SHEAVE COMP.	1	
13	93101-31167	OIL SEAL	2	
14	4WV-17632-00	WEIGHT	8	
15	4WV-17623-00	CAM	1	
16	4WV-17653-00	SLIDER	4	
17	4WV-17654-01	SPACER 1	4	
18	93211-594A4	O-RING	1	
19	4WV-17639-10	STOPPER	1	
20	90157-04088	SCREW, PAN HEAD	8	
21	90201-047R9	WASHER, PLATE	8	
22	90387-1910N	COLLAR	1	
23	4WV-17641-00	V-BELT	1	
24	4WV-17611-00	SHEAVE, PRIMARY FIXED	1	
25	90201-190T7	WASHER, PLATE	1	
26	90179-16690	NUT	1	
27	4WV-17660-10	SECONDARY FIXED SHEAVE COMP.	1	

Fig. 14 CLUTCH



Ref. No.	Part No.	Description		Remarks
	28 4WV-17670-00	SECONDARY SLIDING SHEAVE	1	
	29 93104-41119	OIL SEAL	2	
	30 93210-44545	O-RING	2	
	31 4CW-17664-00	PIN, GUIDE	4	
	32 90501-623L6	SPRING, COMPRESSION	1	
	33 4WV-17684-00	SEAT, SECONDARY SPRING	1	
	34 4WV-17644-00	SEAT, SPRING	1	
	35 90170-36279	NUT	1	
	36 90179-16690	NUT	1	

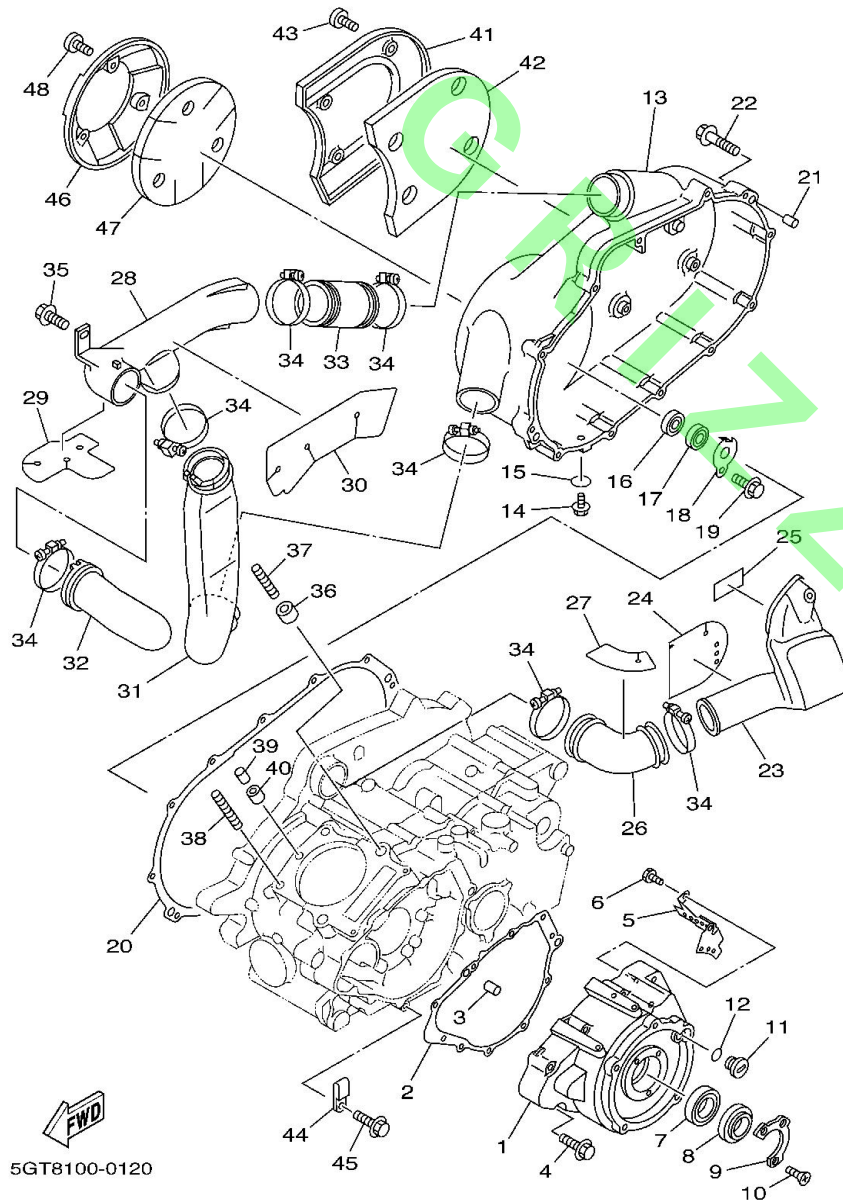
Fig. 12 CRANKCASE COVER 1



5GT8100-0120

Ref. No.	Part No.	Description		Remarks
1	4WV-15411-00	COVER, CRANKCASE 1	1	
2	4WV-15451-00	GASKET, CRANKCASE COVER 1	1	
3	99530-10014	PIN, DOWEL	2	
4	95027-06045	BOLT, FLANGE	10	
5	4WV-15113-00	PLATE	1	
6	91317-06012	BOLT	2	
7	93306-07801	BEARING	1	
8	93102-28476	OIL SEAL	1	
9	1UY-15719-00	WASHER, THRUST	1	
10	90151-05023	SCREW, COUNTERSUNK	3	
11	90340-14117	PLUG, STRAIGHT SCREW	1	
12	93210-14369	O-RING	1	
13	4WV-15431-02	COVER, CRANKCASE 3	1	
14	95827-08012	BOLT, FLANGE	1	
15	90430-08119	GASKET	1	
16	93306-20120	BEARING	1	
17	93101-12168	OIL SEAL	1	
18	4WV-15381-00	PLATE, BEARING COVER	1	
19	95027-06012	BOLT, FLANGE	1	
20	4WV-15462-00	GASKET, CRANKCASE COVER 3	1	
21	99530-10014	PIN, DOWEL	2	
22	95027-06040	BOLT, FLANGE	12	
23	4WV-15471-00	DUCT, AIR	1	
24	4WV-15496-00	SEAL, PROTECTOR 2	1	
25	4WV-15335-00	DAMPER 3	1	
26	4WV-15474-00	SEAL, AIR DUCT	1	
27	4WV-15495-00	SEAL, PROTECTOR 1	1	

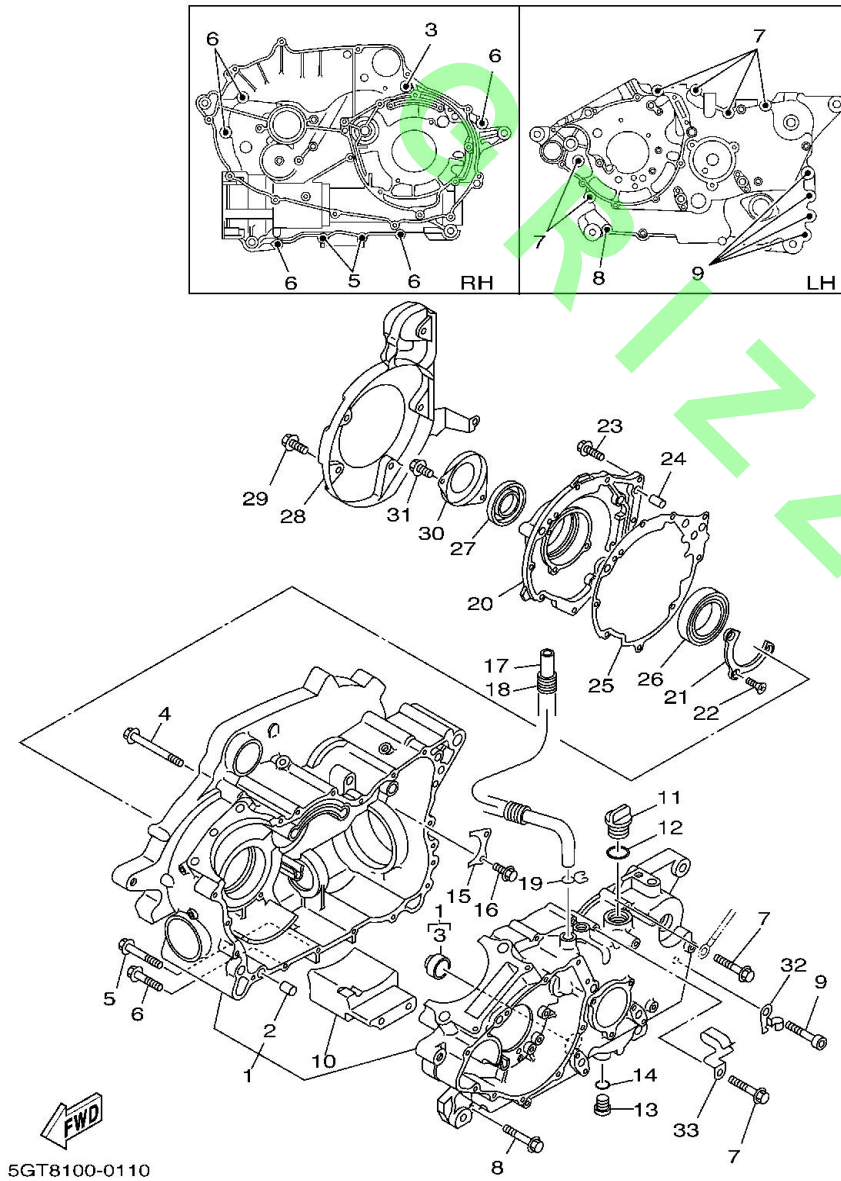
Fig. 12 CRANKCASE COVER 1



Ref. No.	Part No.	Description		Remarks
	28 4WV-15473-01	DUCT, AIR	1	
	29 4WV-15494-01	SEAL, PROTECTOR	1	
	30 4WV-15498-01	TAPE, DAMPER	1	
	31 4WV-15475-02	DUCT, AIR	1	
	32 5GT-15477-00	DUCT, AIR	1	
<hr/>				
	33 4WV-15472-00	SEAL, AIR DUCT	1	
	34 90450-64089	HOSE CLAMP ASSY	7	
	35 95807-06014	BOLT, FLANGE	1	
	36 99530-14016	PIN, DOWEL	2	
	37 90116-10506	BOLT, STUD	2	
<hr/>				
	38 90116-10263	BOLT, STUD	2	
	39 99530-08016	PIN, DOWEL	1	
	40 90430-08178	GASKET	1	
	41 4WV-15499-00	PROTECTOR, COVER	1	
	42 4WV-15326-00	DAMPER, ENGINE MOUNT 2	1	
<hr/>				
	43 98907-06014	SCREW, BIND	4	
	44 90461-08113	CLAMP	1	
	45 95027-06012	BOLT, FLANGE	1	
	46 4WV-15491-00	PROTECTOR	1	
	47 4WV-15316-00	DAMPER, ENGINE MOUNT 1	1	
<hr/>				
	48 98907-06014	SCREW, BIND	3	
<hr/>				



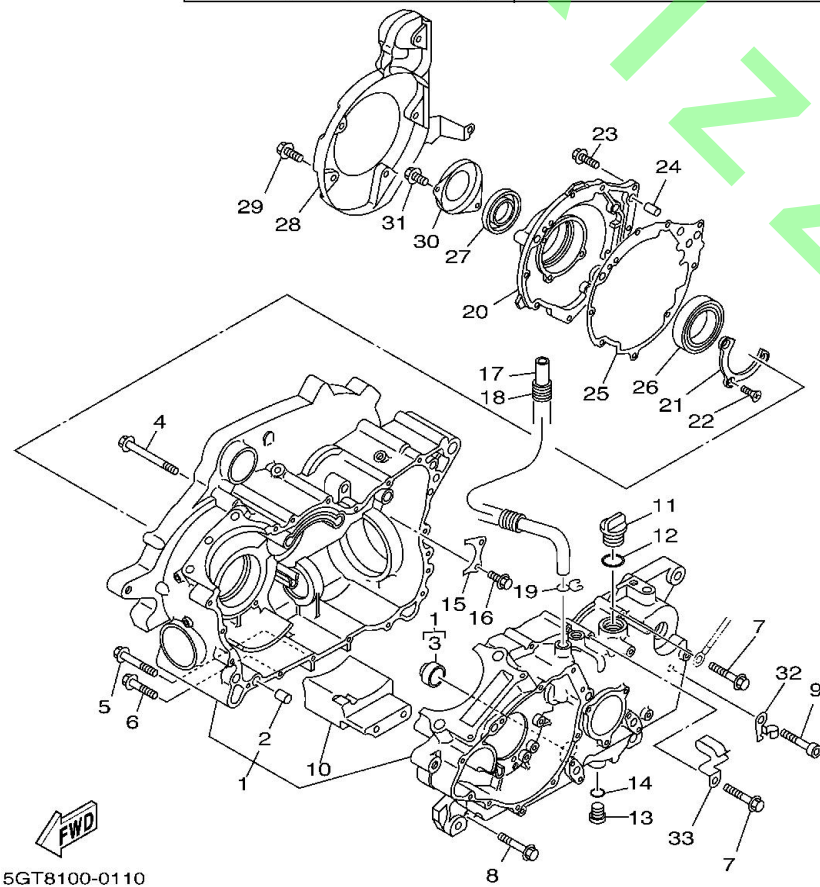
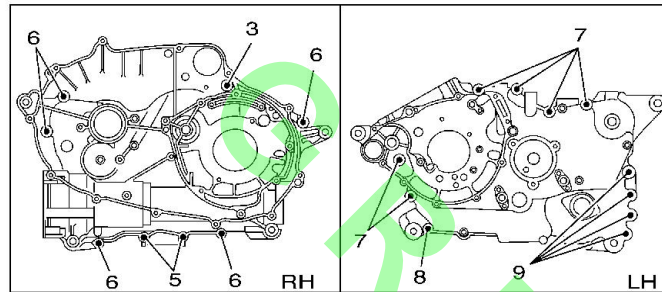
Fig. 11 CRANKCASE



Ref. No.	Part No.	Description		Remarks
1	4WV-15100-12	CRANKCASE ASSY	1	
2	99530-10014	. PIN, DOWEL	2	
3	2H7-15361-00	. GAUGE, LEVEL	1	
4	95027-06090	BOLT, FLANGE	1	
5	95027-06060	BOLT, FLANGE	2	
6	95027-06040	BOLT, FLANGE	5	
7	95027-06055	BOLT, FLANGE	6	
8	95027-06035	BOLT, FLANGE	1	
9	91317-08050	BOLT, HEX. SOCKET HEAD	4	
10	4WV-15327-00	SPACER, ENGINE MOUNT	1	
11	3F9-15362-00	PLUG, OIL LEVEL	1	
12	93210-27370	O-RING	1	
13	90340-14046	PLUG, STRAIGHT SCREW	1	
14	214-11198-01	GASKET	1	
15	4WV-15388-00	PLATE, BEARING COVER	1	
16	95027-06012	BOLT, FLANGE	2	
17	4WV-11166-00	PIPE, BREATHER 1	1	
18	4WV-24327-01	PROTECTOR, PIPE	1	
19	90467-14015	CLIP	1	
20	4WV-15163-00	HOUSING, BEARING 1	1	
21	5GT-15383-00	PLATE, BEARING COVER	1	
22	98707-06010	SCREW, FLAT HEAD	2	
23	95027-06020	BOLT, FLANGE	9	
24	99530-10014	PIN, DOWEL	2	
25	4WV-15463-00	GASKET 2	1	
26	93306-01002	BEARING	1	
27	93102-35463	OIL SEAL	1	

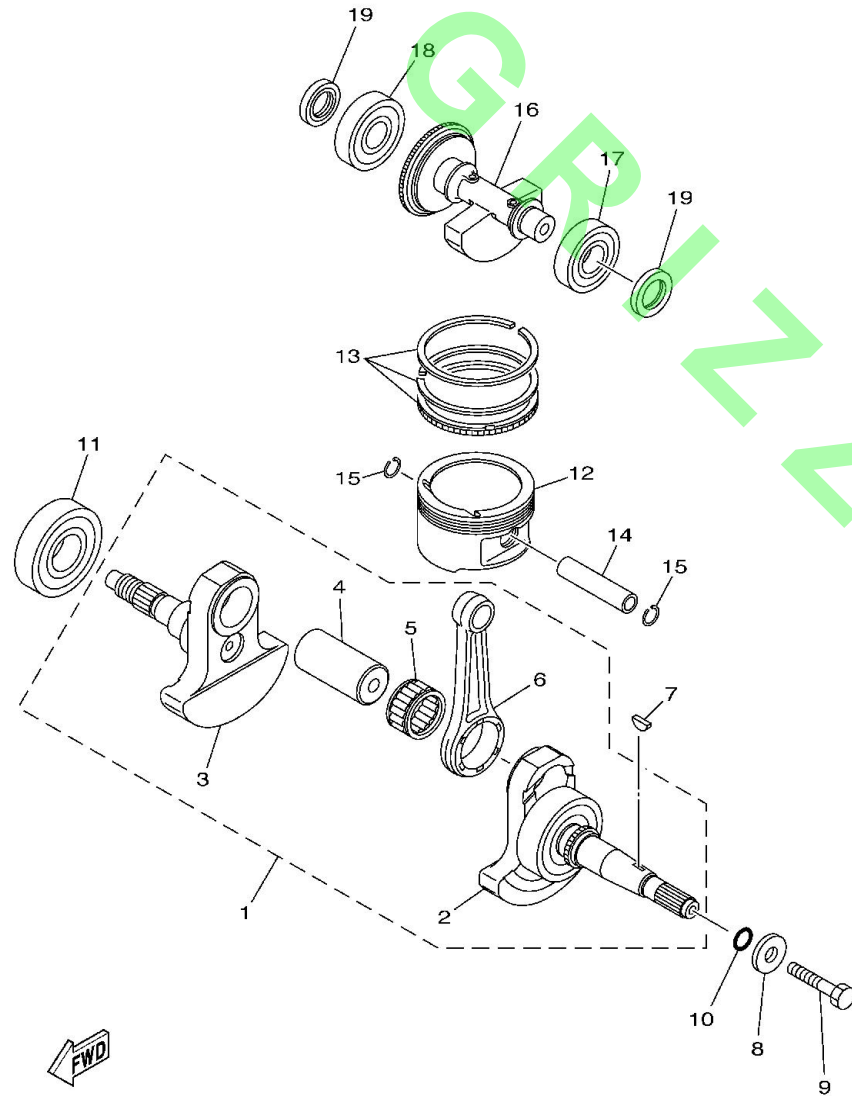
Fig. 11 CRANKCASE

Ref. No.	Part No.	Description		Remarks
	28 4WV-15333-00	COVER	1	
	29 95027-06012	BOLT, FLANGE	6	
	30 5GT-15191-00	PLATE	1	
	31 95027-06012	BOLT, FLANGE	2	
	32 90465-10090	CLAMP	1	
	33 90465-08389	CLAMP	1	



5GT8100-0110

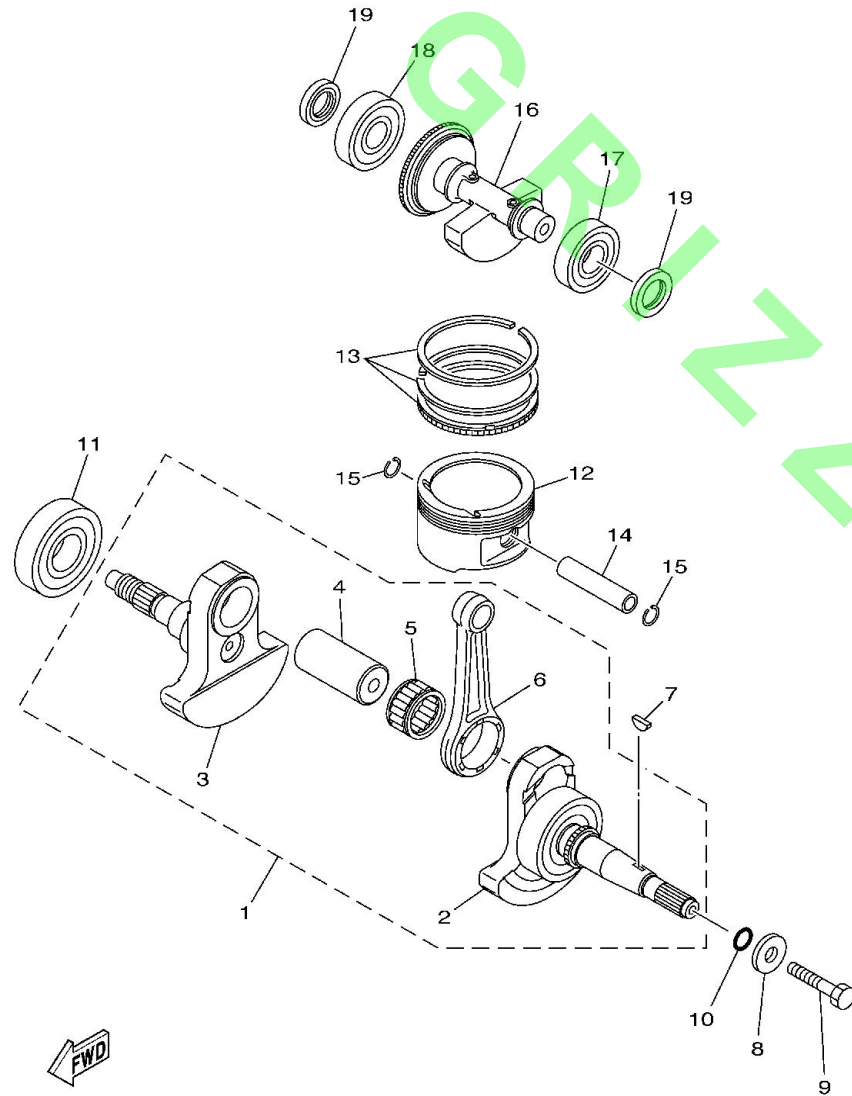
Fig. 03 CRANKSHAFT & PISTON



  
5GT1100-9031

Ref. No.	Part No.	Description	Remarks
1	5GT-11400-00	CRANKSHAFT ASSY	1
2	5GT-W1141-00	. CRANK 1	1
3	5GT-W1142-00	. CRANK 2	1
4	4WV-11681-10	. PIN, CRANK 1	1
5	93310-637D3	. BEARING	1
6	5GT-11651-00	. ROD, CONNECTING	1
7	90280-16053	KEY, WOODRUFF	1
8	90201-10321	WASHER, PLATE	1
9	90101-10568	BOLT	1
10	93210-16290	O-RING	1
11	93306-30702	BEARING (B6307)	1
12	3TB-11631-00-Y0	PISTON (STD)	1
	3TB-11636-00	PISTON (0.50MM O/S)	1 AP
	3TB-11638-00	PISTON (1.00MM O/S)	1 AP
13	34L-11610-00	PISTON RING SET (STD)	1
	34L-11610-20	PISTON RING SET (0.50MM O/S)	1 AP
	34L-11610-40	PISTON RING SET (1.00MM O/S)	1 AP
14	1JK-11633-01	PIN, PISTON	1
15	93450-24028	CIRCLIP	2
16	5GT-11500-00	BALANCER ASSY	1
17	93306-30525	BEARING (B6305)	1
18	93306-30534	BEARING	1
19	93101-25106	OIL SEAL	2

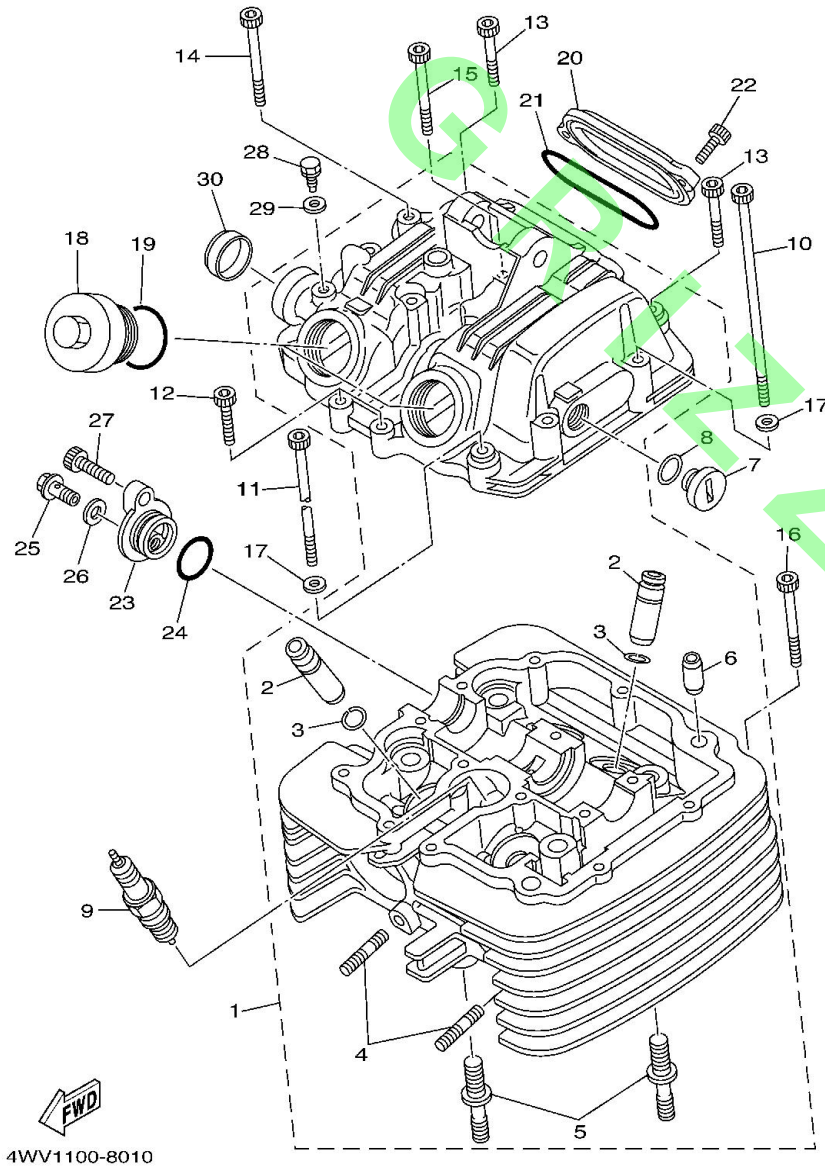
Fig. 03 CRANKSHAFT & PISTON



5GT1100-9031

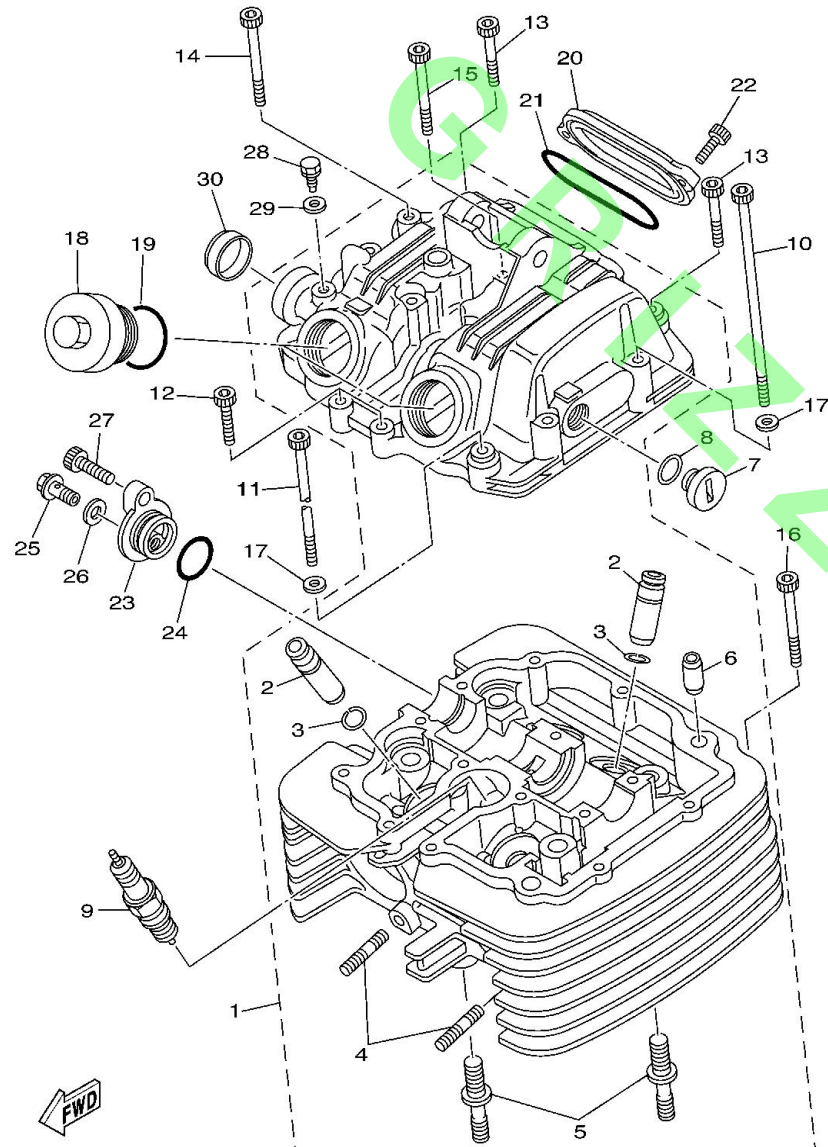
Ref. No.	Part No.	Description	Remarks
1	5GT-11400-00	CRANKSHAFT ASSY	1
2	5GT-W1141-00	. CRANK 1	1
3	5GT-W1142-00	. CRANK 2	1
4	4WV-11681-10	. PIN, CRANK 1	1
5	93310-637D3	. BEARING	1
6	5GT-11651-00	. ROD, CONNECTING	1
7	90280-16053	KEY, WOODRUFF	1
8	90201-10321	WASHER, PLATE	1
9	90101-10568	BOLT	1
10	93210-16290	O-RING	1
11	93306-30702	BEARING (B6307)	1
12	3TB-11631-00-Y0	PISTON (STD)	1
	3TB-11636-00	PISTON (0.50MM O/S)	1 AP
	3TB-11638-00	PISTON (1.00MM O/S)	1 AP
13	34L-11610-00	PISTON RING SET (STD)	1
	34L-11610-20	PISTON RING SET (0.50MM O/S)	1 AP
	34L-11610-40	PISTON RING SET (1.00MM O/S)	1 AP
14	1JK-11633-01	PIN, PISTON	1
15	93450-24028	CIRCLIP	2
16	5GT-11500-00	BALANCER ASSY	1
17	93306-30525	BEARING (B6305)	1
18	93306-30534	BEARING	1
19	93101-25106	OIL SEAL	2

Fig. 01 CYLINDER HEAD



Ref. No.	Part No.	Description		Remarks
	1 3TB-11101-02	CYLINDER HEAD ASSY	1	
	2 4H7-11133-10	. GUIDE, VALVE 1	4	
	3 93440-12052	. CIRCLIP	4	
	4 90116-06475	. BOLT, STUD	4	
	5 90116-10378	. BOLT, STUD	2	
<hr/>				
	6 99530-10116	. PIN, DOWEL	2	
	7 90340-14117	PLUG, STRAIGHT SCREW	1	
	8 93210-13657	O-RING	1	
	9 94701-00241	PLUG, SPARK (NGK DPR8EA-9)	1	
	10 91317-06125	BOLT	2	
<hr/>				
	11 91317-06115	BOLT	1	
	12 91317-06025	BOLT	4	
	13 91317-06040	BOLT	2	
	14 91317-06055	BOLT	6	
	15 90109-063E9	BOLT	1	
<hr/>				
	16 91317-06050	BOLT	1	
	17 92907-06600	WASHER, PLATE	3	
	18 1L9-11186-00	COVER, CYLINDER HEAD SIDE 2	2	
	19 93210-32172	O-RING	2	
	20 5Y1-11187-00	COVER, CYLINDER HEAD SIDE 3	1	
<hr/>				
	21 93210-62523	O-RING	1	
	22 91317-06018	BOLT	2	
	23 3TB-12215-01	CAP, TENSIONER CASE	1	
	24 93210-19522	O-RING	1	
	25 90401-06001	BOLT, UNION	1	
<hr/>				
	26 90430-06192	GASKET	1	
	27 91317-06020	BOLT	1	

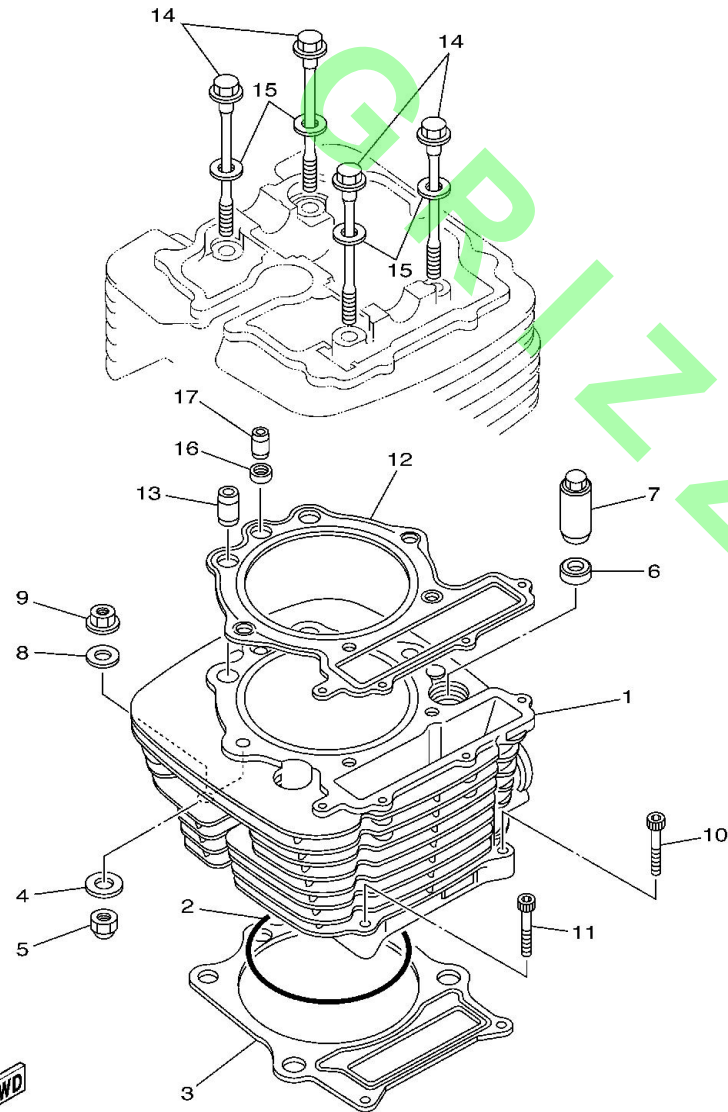
Fig. 01 CYLINDER HEAD



4WV1100-8010

Ref. No.	Part No.	Description		Remarks
	28 90109-06418	BOLT	1	
	29 90430-06014	GASKET	1	
	30 90338-22207	PLUG	1	
<hr/>				
<hr/>				
<hr/>				
<hr/>				
<hr/>				
<hr/>				
<hr/>				
<hr/>				
<hr/>				

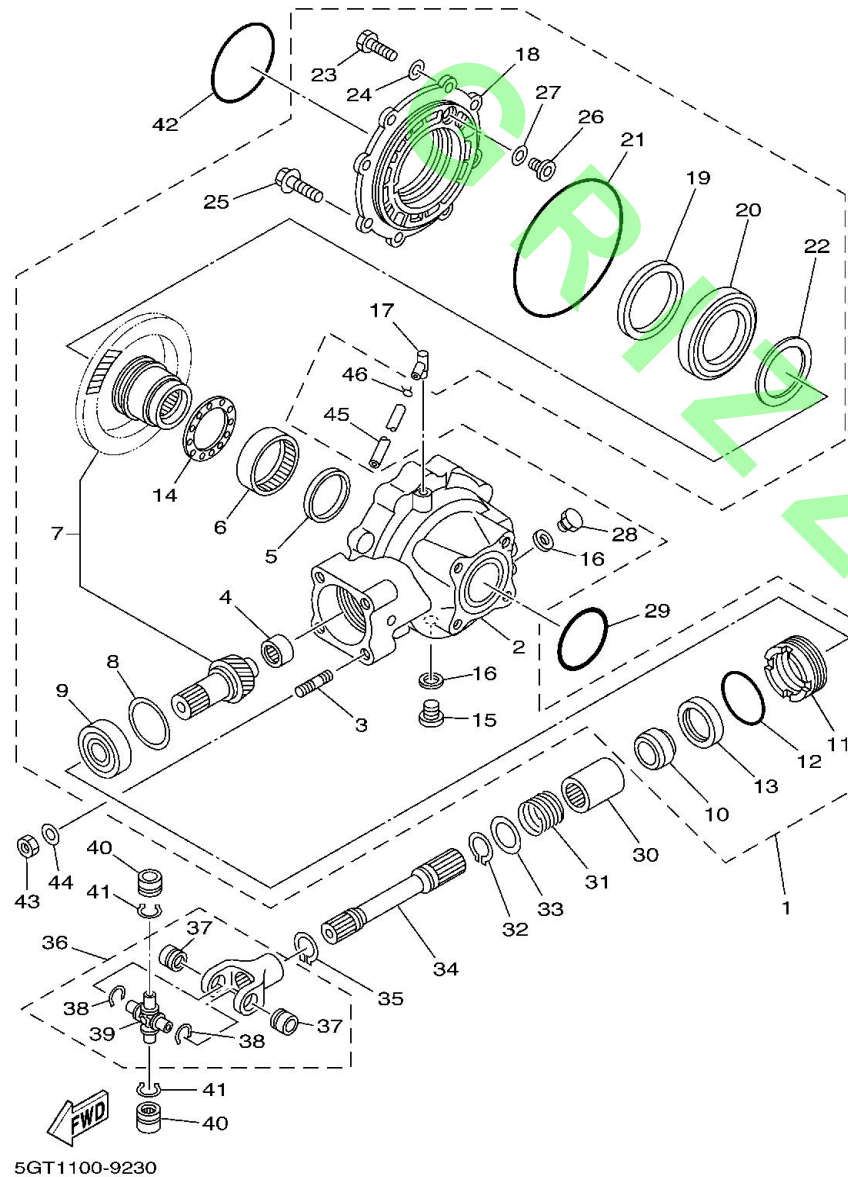
Fig. 02 CYLINDER



FWD  
4WV1100-8020

Ref. No.	Part No.	Description		Remarks
1	3TB-11310-00	CYLINDER	1	
2	93210-98473	O-RING	1	
3	1VJ-11351-00	GASKET, CYLINDER	1	
4	90201-080L8	WASHER, PLATE	2	
5	90176-08026	NUT, CROWN	2	
6	90201-10590	WASHER, PLATE	2	
7	90179-10201	NUT	2	
8	90201-10124	WASHER, PLATE	2	
9	90179-10279	NUT	2	
10	91317-06035	BOLT	1	
11	90110-06204	BOLT, HEXAGON SOCKET HEAD	1	
12	2KF-11181-01	GASKET, CYLINDER HEAD 1	1	
13	99530-12016	PIN, DOWEL	2	
14	90105-08505	BOLT, FLANGE	4	
15	90201-085L3	WASHER, PLATE	4	
16	90430-08178	GASKET	1	
17	99530-08016	PIN, DOWEL	1	

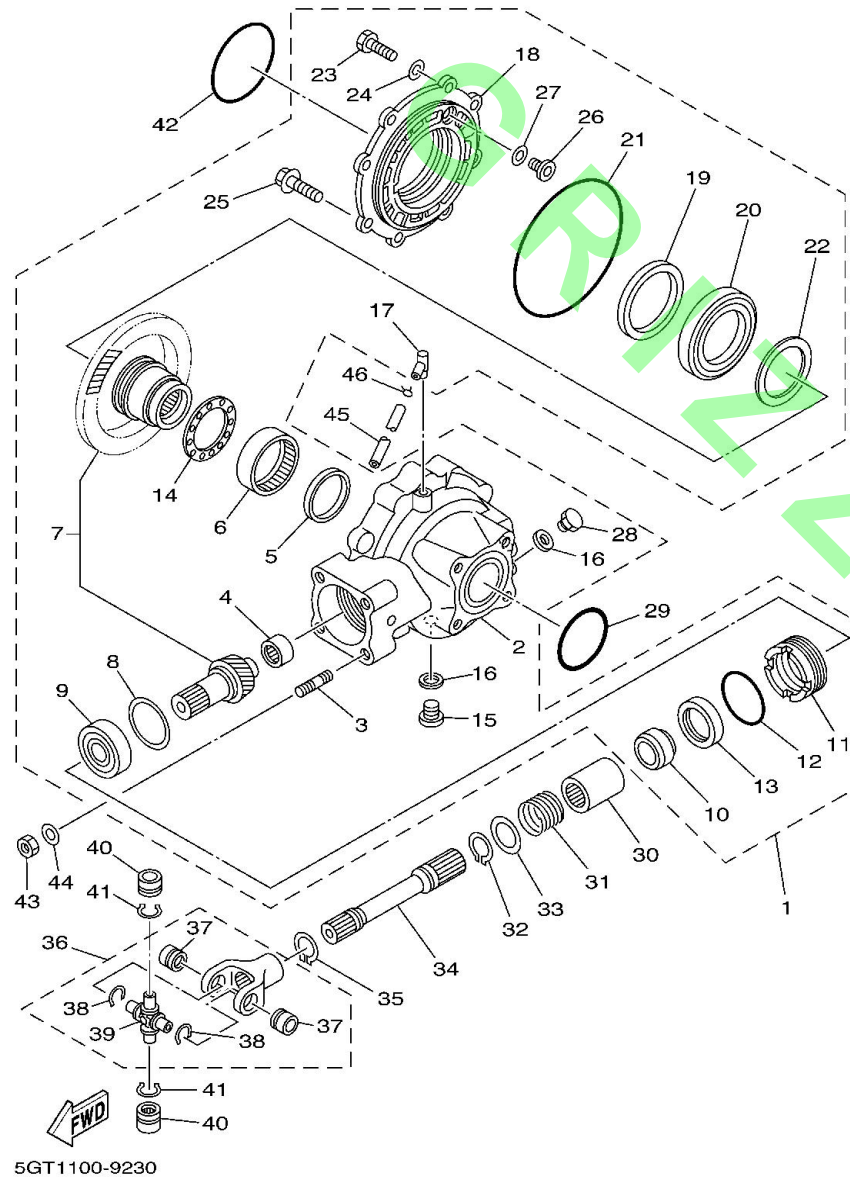
Fig. 23 DRIVE SHAFT



Ref. No.	Part No.	Description		Remarks
1	5GT-46101-00	REAR AXLE GEAR CASE ASSY	1	
2	4WV-46151-00	. HOUSING, DRIVE SHAFT	1	
3	90116-10593	. BOLT, STUD	4	
4	2H7-46102-00	. BEARING ASSY	1	
5	93101-52116	. OIL SEAL	1	
6	93317-85569	. BEARING	1	
7	5GT-Y4612-00	. RING GEAR SET	1	
8	1J7-17537-Y0-30	. SHIM, THRUST (0.30T)	1	UR
	1J7-17537-Y0-40	. SHIM, THRUST (0.40T)	1	UR
	1J7-17537-Y0-50	. SHIM, THRUST (0.50T)	1	UR
9	93306-30568	. BEARING	1	
10	90387-255H9	. COLLAR	1	
11	29U-46125-00	. RETAINER, BEARING	1	
12	93210-59531	. O-RING	1	
13	93101-38098	. OIL SEAL	1	
14	24W-46118-00-12	. WASHER, THRUST (1.2T)	1	UR
	24W-46118-00-14	. WASHER, THRUST (1.4T)	1	UR
	24W-46118-00-16	. WASHER, THRUST (1.6T)	1	UR
	24W-46118-00-18	. WASHER, THRUST (1.8T)	1	UR
	24W-46118-00-20	. WASHER, THRUST (2.0T)	1	UR
15	90340-14046	. PLUG, STRAIGHT SCREW	1	
16	214-11198-01	. GASKET	2	
17	2N4-15371-00	. BREATHER	1	
18	3HN-46152-01	. HOUSING, BEARING	1	
19	93102-65386	. OIL SEAL	1	
20	93316-01301	. BEARING	1	
21	93211-51749	. O-RING	1	

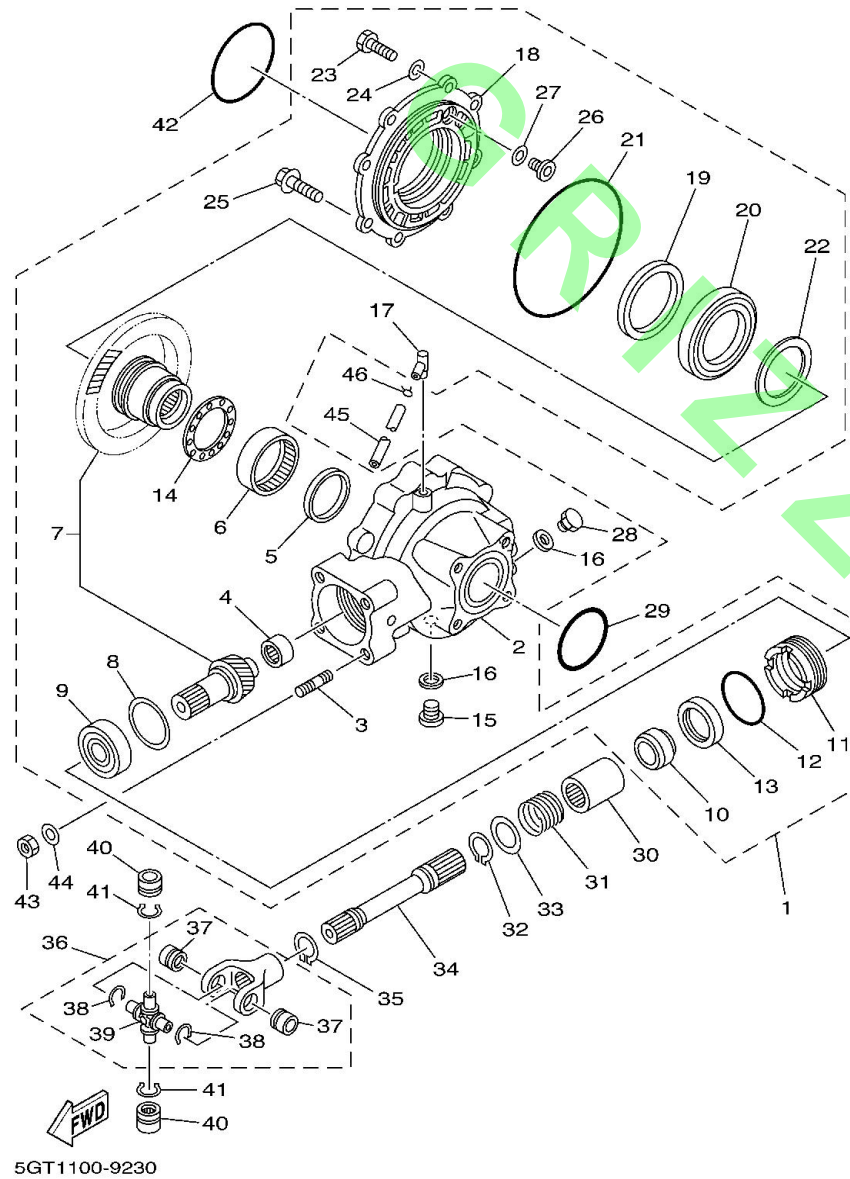


Fig. 23 DRIVE SHAFT



Ref. No.	Part No.	Description		Remarks
	22 24W-46117-00-25	. SHIM, RING GEAR (0.25T)	1	UR
	24W-46117-00-30	. SHIM, RING GEAR (0.30T)	1	UR
	24W-46117-00-40	. SHIM, RING GEAR (0.40T)	1	UR
	24W-46117-00-50	. SHIM, RING GEAR (0.50T)	1	UR
	23 97027-08025	. BOLT	6	
	24 92907-08600	. WASHER, PLATE	6	
	25 95817-10025	. BOLT, FLANGE	2	
	26 1FK-46156-00	. STOPPER, RING GEAR	1	
	27 1FK-46157-00-15	. SHIM, STOPPER (T=0.15)	1	UR
	1FK-46157-00-20	. SHIM, STOPPER (T=0.20)	1	UR
	28 90340-14029	. PLUG, STRAIGHT SCREW	1	
	29 93210-65705	O-RING	1	
	30 5GT-46123-00	COUPLING, GEAR	1	
	31 90501-260L6	SPRING, COMPRESSION	1	
	32 99009-25400	CIRCLIP	1	
	33 90201-25289	WASHER, PLATE (T=1.6)	1	
	34 5GT-46172-00	SHAFT, DRIVE	1	
	35 93410-22039	CIRCLIP	1	
	36 4KD-46107-00	CROSS JOINT COMP. 2	1	
	37 93399-99926	. BEARING	2	
	38 93440-20088	. CIRCLIP	2	
	39 2HR-46187-00	. SPIDER	1	
	40 93399-99926	BEARING	2	
	41 93440-20088	CIRCLIP	2	
	42 93210-85706	O-RING	1	
	43 90179-10394	NUT	4	
	44 90201-10774	WASHER, PLATE	4	

Fig. 23 DRIVE SHAFT



Ref. No.	Part No.	Description		Remarks
	45 90445-072J4	HOSE (L1120)	1	
	46 90467-07029	CLIP	1	
<hr/>				
<hr/>				
<hr/>				
<hr/>				
<hr/>				
<hr/>				
<hr/>				
<hr/>				
<hr/>				

Fig. 44 ELECTRICAL 1

Ref. No.	Part No.	Description		Remarks
1	5GT-85540-00	C.D.I. UNIT ASSY	1	
2	98907-06016	SCREW, BIND	2	
3	3GB-82540-01	NEUTRAL SWITCH ASSY	1	
4	4KM-82540-00	NEUTRAL SWITCH ASSY	1	
5	90430-10148	GASKET	2	
<hr style="border-top: 1px dashed black;"/>				
6	4KJ-82310-10	IGNITION COIL ASSY	1	
7	90109-06723	BOLT	1	
8	97007-06020	BOLT	1	
9	92907-06600	WASHER, PLATE	1	
10	371-82370-00	PLUG CAP ASSY	1	
<hr style="border-top: 1px dashed black;"/>				
11	4GB-83591-10	THERMO UNIT	1	
12	90201-12172	WASHER, PLATE	1	
<hr style="border-top: 1px dashed black;"/>				
<hr style="border-top: 1px dashed black;"/>				
<hr style="border-top: 1px dashed black;"/>				
<hr style="border-top: 1px dashed black;"/>				
<hr style="border-top: 1px dashed black;"/>				
<hr style="border-top: 1px dashed black;"/>				
<hr style="border-top: 1px dashed black;"/>				
<hr style="border-top: 1px dashed black;"/>				
<hr style="border-top: 1px dashed black;"/>				

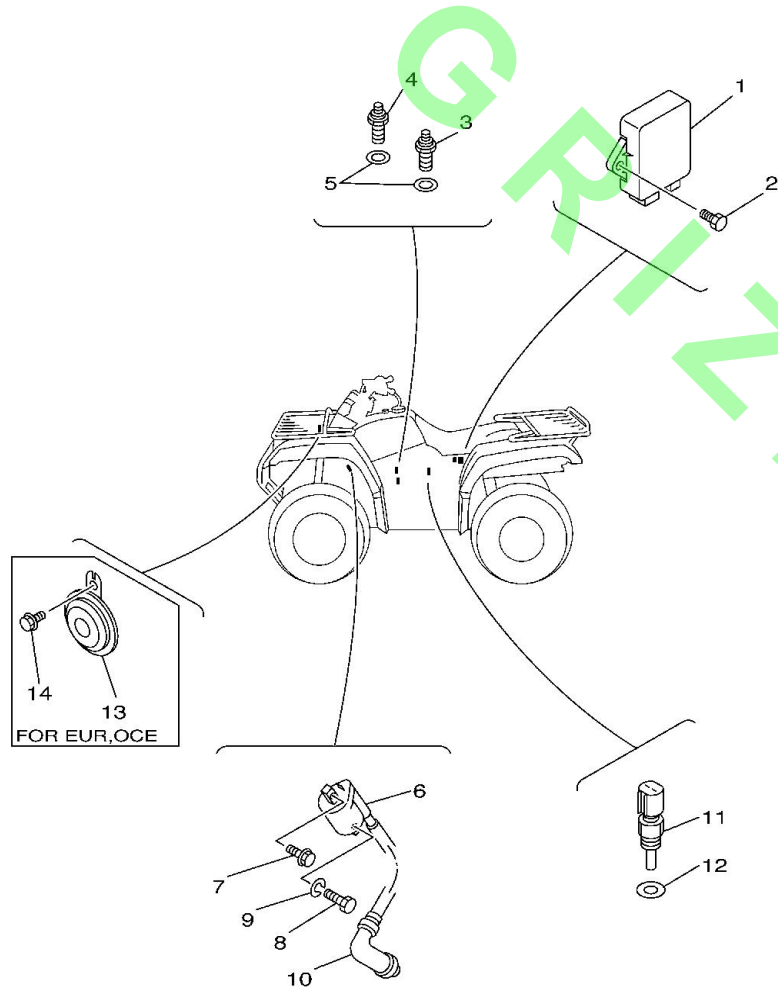
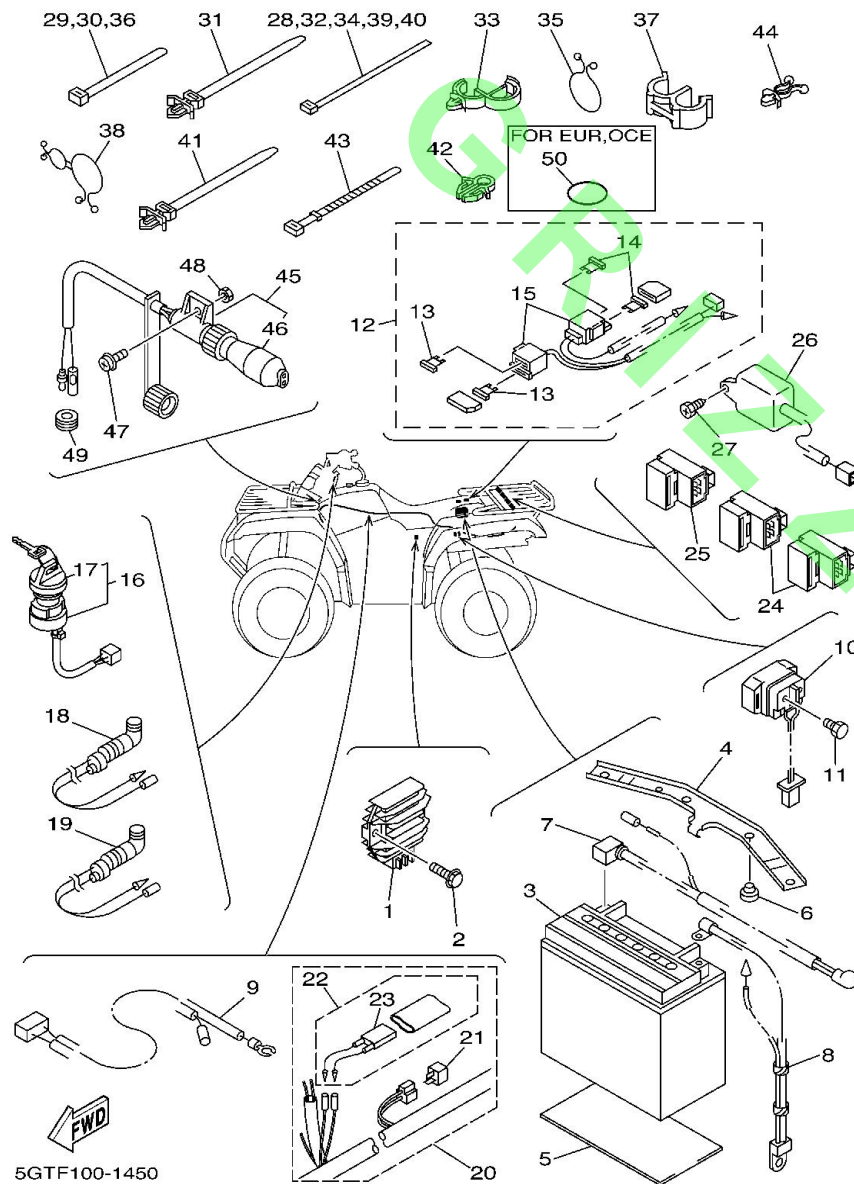
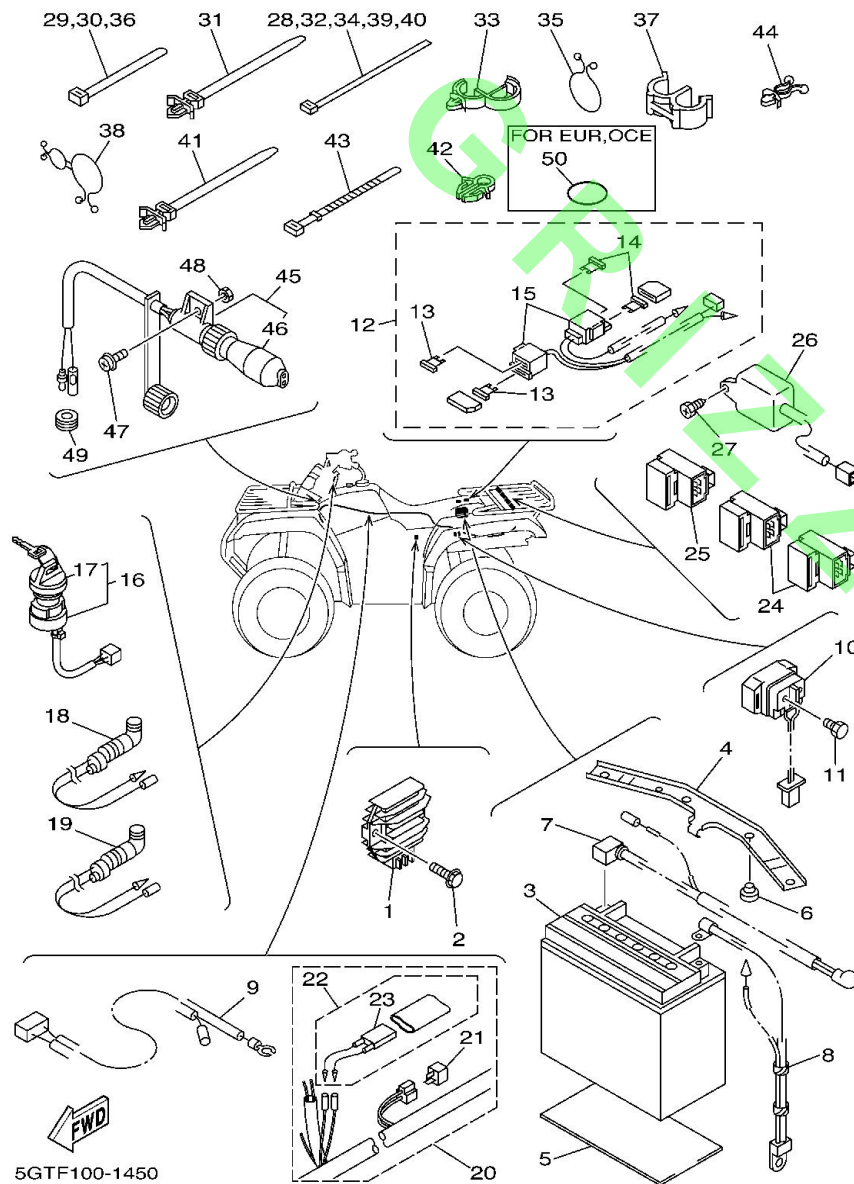


Fig. 45 ELECTRICAL 2



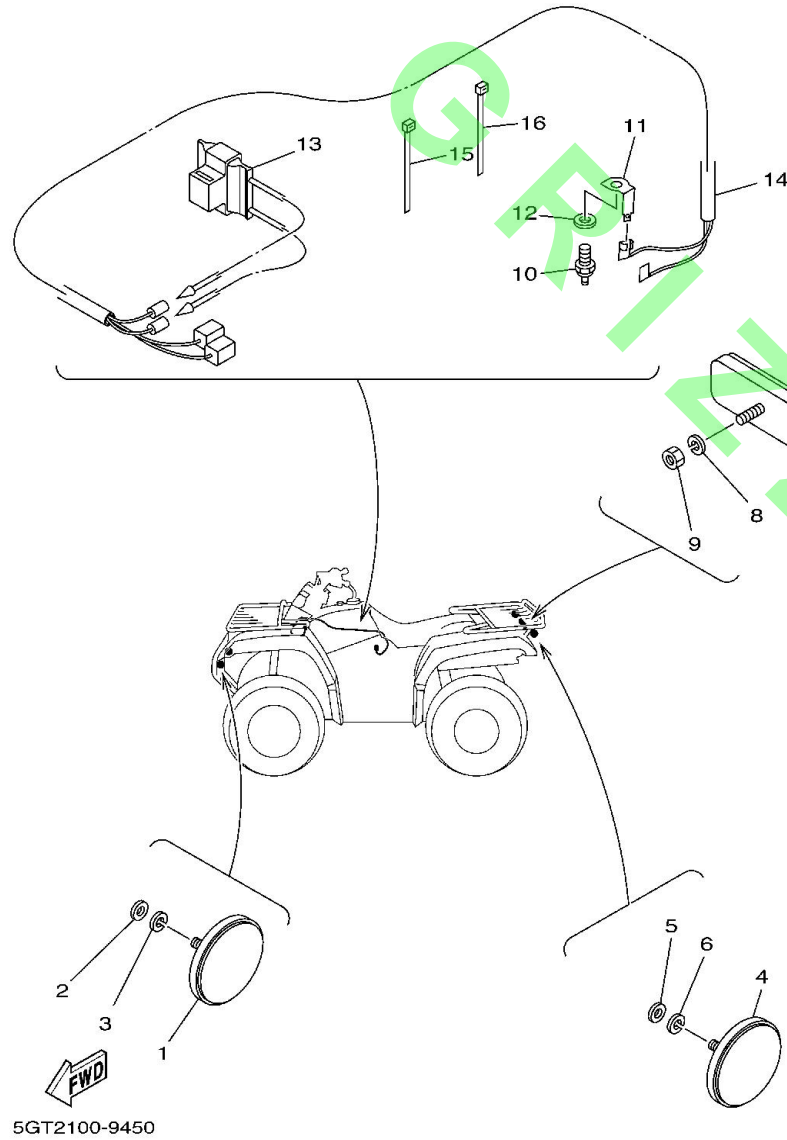
Ref. No.	Part No.	Description	Remarks
1	5GT-81960-00	RECTIFIER & REGULATOR ASSY	1
2	95807-06020	BOLT, FLANGE	1
3	4SH-82100-21	BATTERY ASSY (YUASA YTX20L-BS)	1
4	4WV-82128-00	BRACKET, BATTERY	1
5	4BD-21639-00	DAMPER 2	1
6	278-27114-00	STOPPER, MAIN STAND	2
7	4WV-82115-00	WIRE, PLUS LEAD	1
8	4WV-82116-00	WIRE, MINUS LEAD	1
9	4WV-82541-00	WIRE, LEAD	1
10	5GT-81940-00	STARTER RELAY ASSY	1
11	95027-06008	BOLT, FLANGE	2
12	5GT-82150-00	FUSE HOLDER ASSY	1
13	2GV-82151-00	. FUSE (20A-BL)	2
14	42X-82151-00	. FUSE (10A-BL)	2
15	4KL-82155-00	. BAND	2
16	4GB-82510-10	MAIN SWITCH ASSY	1
17	3HN-82579-00	. CAP, KEY	1
18	4KB-83530-30	PILOT LIGHT ASSY	1 RED (OIL)
19	4KB-83530-20	PILOT LIGHT ASSY	1 4WD INDICATOR
20	5GT-82590-00	WIRE HARNESS ASSY	1
21	3WP-81980-00	. DIODE ASSY	1
22	5GT-82180-00	. CIRCUIT BREAKER ASSY	1
23	5GT-82560-00	. THERMO SWITCH ASSY	1
24	29U-81950-93	RELAY ASSY	2
25	2NL-81950-92	RELAY ASSY	1
26	4SH-86510-00	MOTOR CONTROL UNIT ASSY	1
27	98907-06016	SCREW, BIND	1

Fig. 45 ELECTRICAL 2



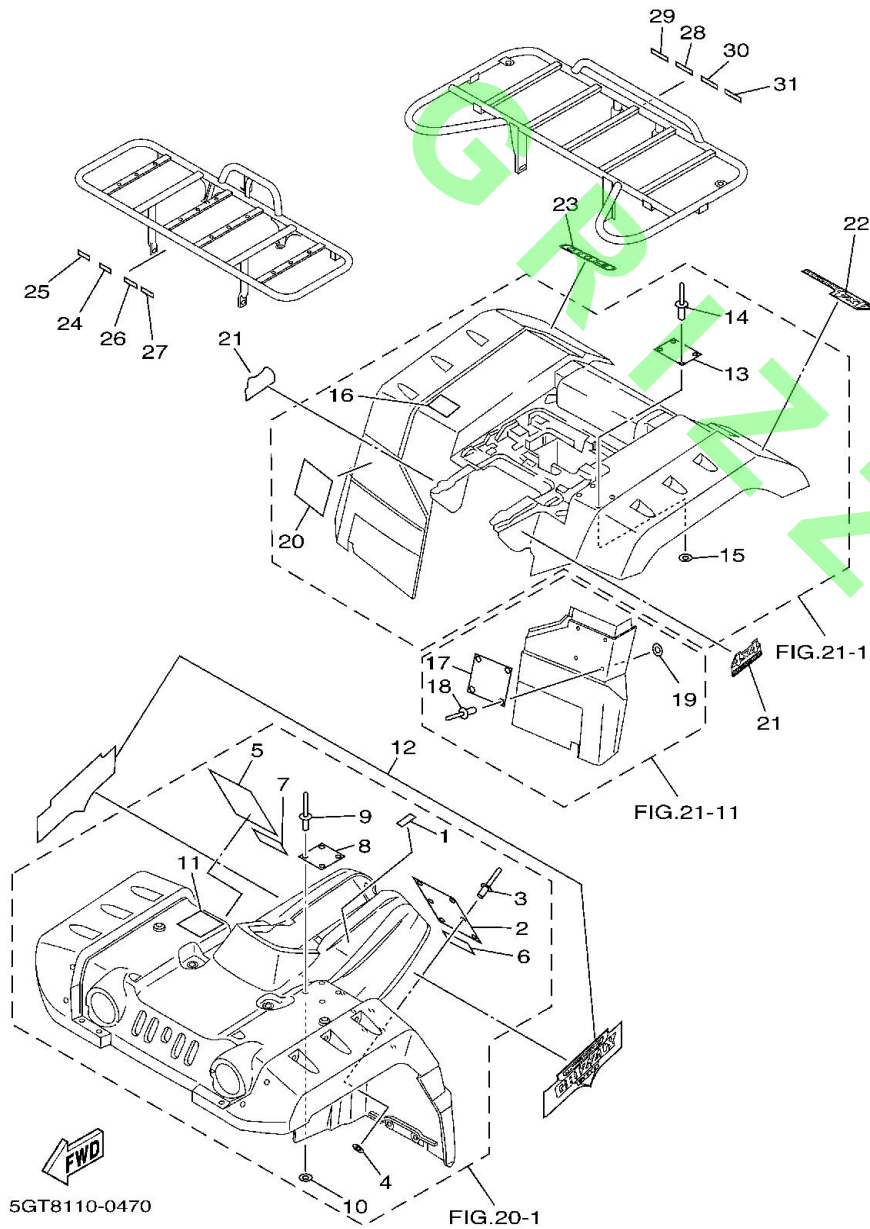
Ref. No.	Part No.	Description		Remarks
	28	1UA-82591-00	BAND	4
	29	90464-13073	CLAMP	2
	30	90464-13073	CLAMP	1
	31	90464-12036	CLAMP	1
	32	1UA-82591-00	BAND	1
	33	90464-07209	CLAMP	1
	34	1UA-82591-00	BAND	2
	35	90464-30040	CLAMP	1
	36	90464-13073	CLAMP	1
	37	90468-15139	CLIP	1
	38	90464-25098	CLAMP	1
	39	1UA-82591-00	BAND	1
	40	1UA-82591-00	BAND	1
	41	90464-10112	CLAMP	1
	42	90464-48174	CLAMP	1
	43	90464-20094	CLAMP	1
	44	90464-20159	CLAMP	2
	45	59V-81920-00	TERMINAL ASSY	1
	46	59V-81942-00	. COVER	1
	47	90159-05018	SCREW, WITH WASHER	1
	48	95707-05500	NUT, FLANGE	1
	49	90480-10297	GROMMET	1

Fig. 46 ELECTRICAL 3



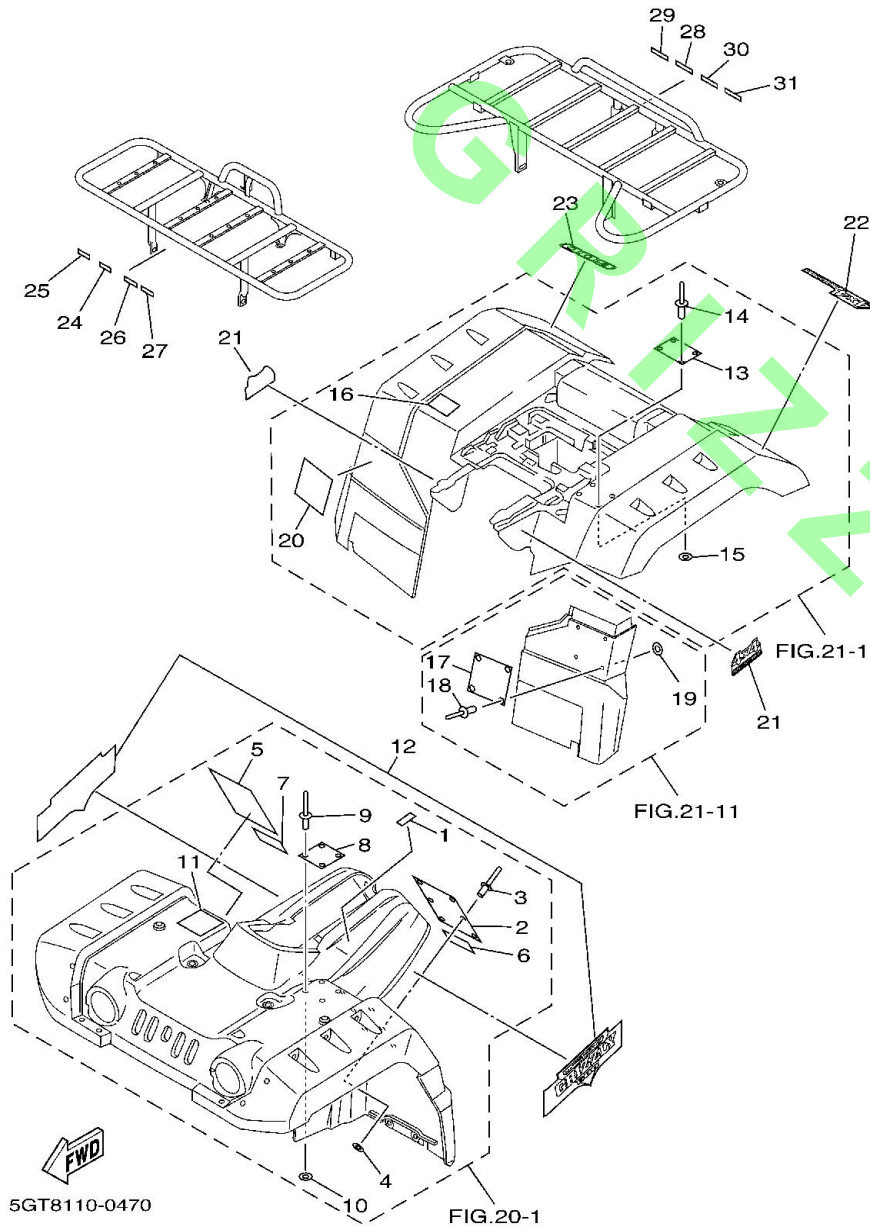
Ref. No.	Part No.	Description	Quantity	Remarks
1	2EK-85111-00	REFLECTOR, FRONT 1	2	
2	92907-05200	WASHER	2	
3	92907-05100	WASHER, SPRING	2	
4	449-85131-02	REFLECTOR, REAR 1	2	
5	92907-05200	WASHER	2	
6	92907-05100	WASHER, SPRING	2	
7	3Y6-85130-02	REAR REFLECTOR ASSY	1	
8	92907-05100	WASHER, SPRING	1	
9	95307-05600	NUT	1	

Fig. 47 EMBLEM & LABEL 1



Ref. No.	Part No.	Description	Quantity	Remarks
1	4SH-2416E-00	LABEL, CAUTION CANADA	1	ENGLISH
2	5FE-21568-01	LABEL, WARNING	1	ENGLISH
3	90267-32004	RIVET, BLIND	4	
4	90201-03313	WASHER, PLATE	6	
5	4WU-21568-10	LABEL, WARNING	1	FRENCH
6	4WV-2151E-00	LABEL 2	1	
7	4WV-2151E-10	LABEL 2	1	
8	5FE-21697-01	LABEL, CAUTION 2	1	ENGLISH
9	90267-32004	RIVET, BLIND	4	
10	90201-03313	WASHER, PLATE	4	
11	3JM-21697-10	LABEL, CAUTION 2	1	FRENCH
12	5GT-21570-50	GRAPHIC SET, FRONT FENDER	1	UR PDG
13	5FE-2151H-01	LABEL 5	1	ENGLISH
14	90267-32004	RIVET, BLIND	4	
15	90201-03313	WASHER, PLATE	4	
16	4WU-2151H-10	LABEL 5	1	FRENCH
17	5GT-21696-00	LABEL, CAUTION	1	ENGLISH
18	90267-32004	RIVET, BLIND	4	
19	90201-03313	WASHER, PLATE	4	
20	5GT-21696-10	LABEL, CAUTION	1	
21	5GH-2163G-00	EMBLEM 1	2	UR FOR PDG
22	5GT-2165G-00	GRAPHIC, REAR (L.H)	1	
23	5GT-2165H-00	GRAPHIC, REAR (R.H)	1	
24	3MX-24875-A0	LABEL 1	1	ENGLISH
25	3MX-24875-B0	LABEL 1	1	FRENCH
26	3GC-24877-A0	LABEL, CAUTION	1	ENGLISH
27	3GC-24877-B0	LABEL, CAUTION	1	FRENCH

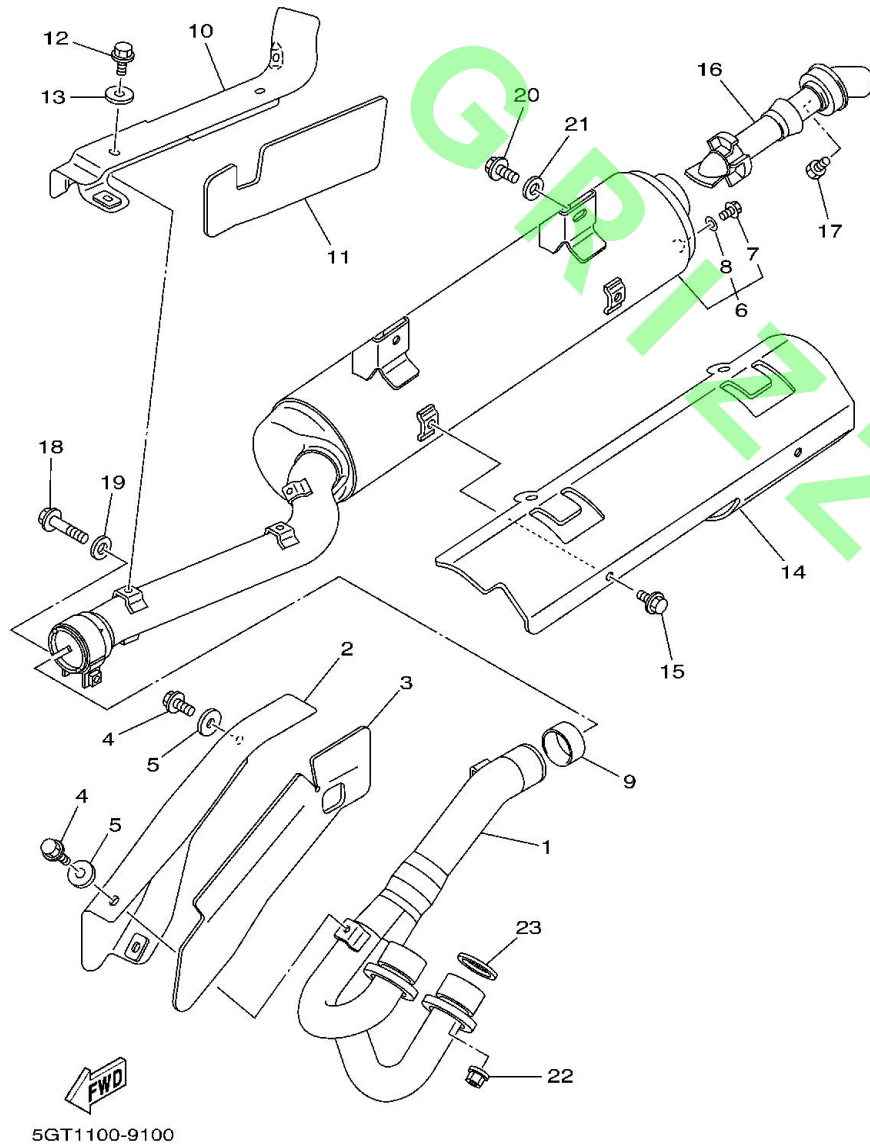
Fig. 47 EMBLEM & LABEL 1



Ref. No.	Part No.	Description	Remarks
	28 3MX-24875-A0	LABEL 1	1 ENGLISH
	29 3MX-24875-B0	LABEL 1	1 FRENCH
	30 4WV-24877-A0	LABEL, CAUTION	1 ENGLISH
	31 4WV-24877-B0	LABEL, CAUTION	1 FRENCH
<hr/>			
<hr/>			
<hr/>			
<hr/>			
<hr/>			
<hr/>			
<hr/>			
<hr/>			
<hr/>			
<hr/>			
<hr/>			

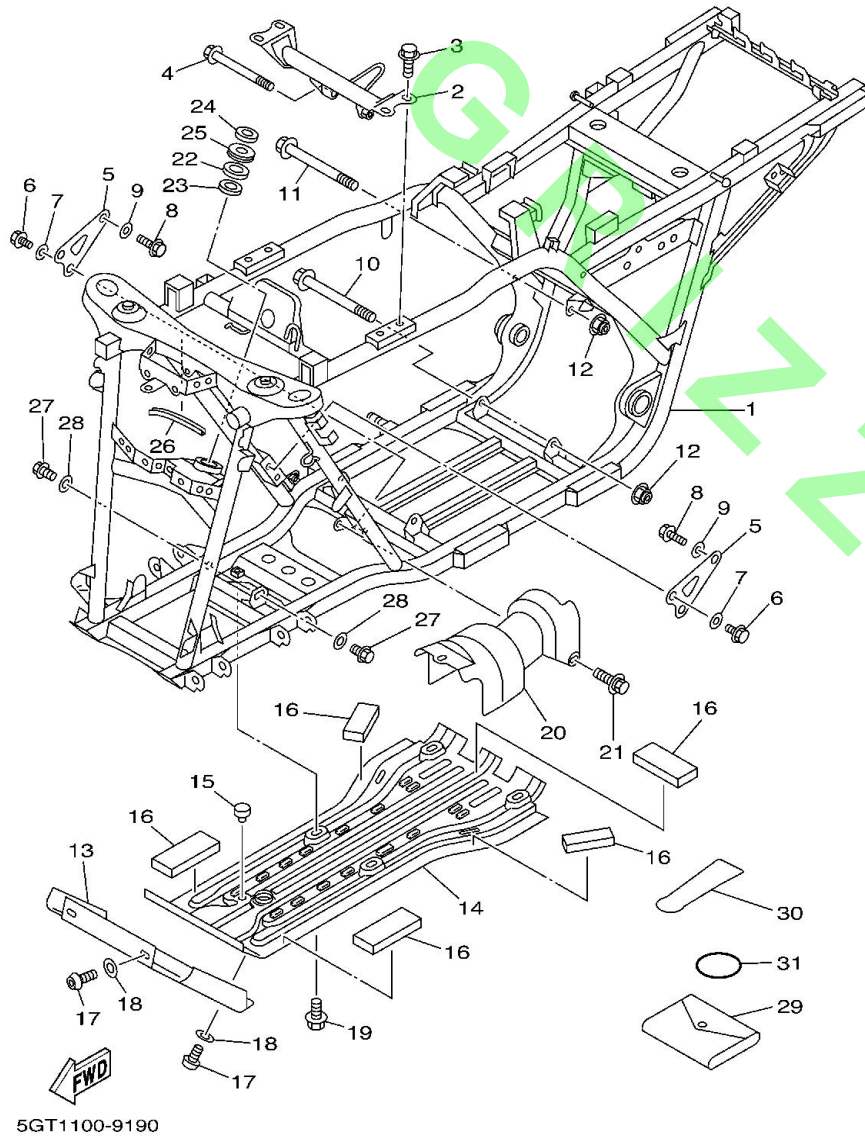


Fig. 10 EXHAUST



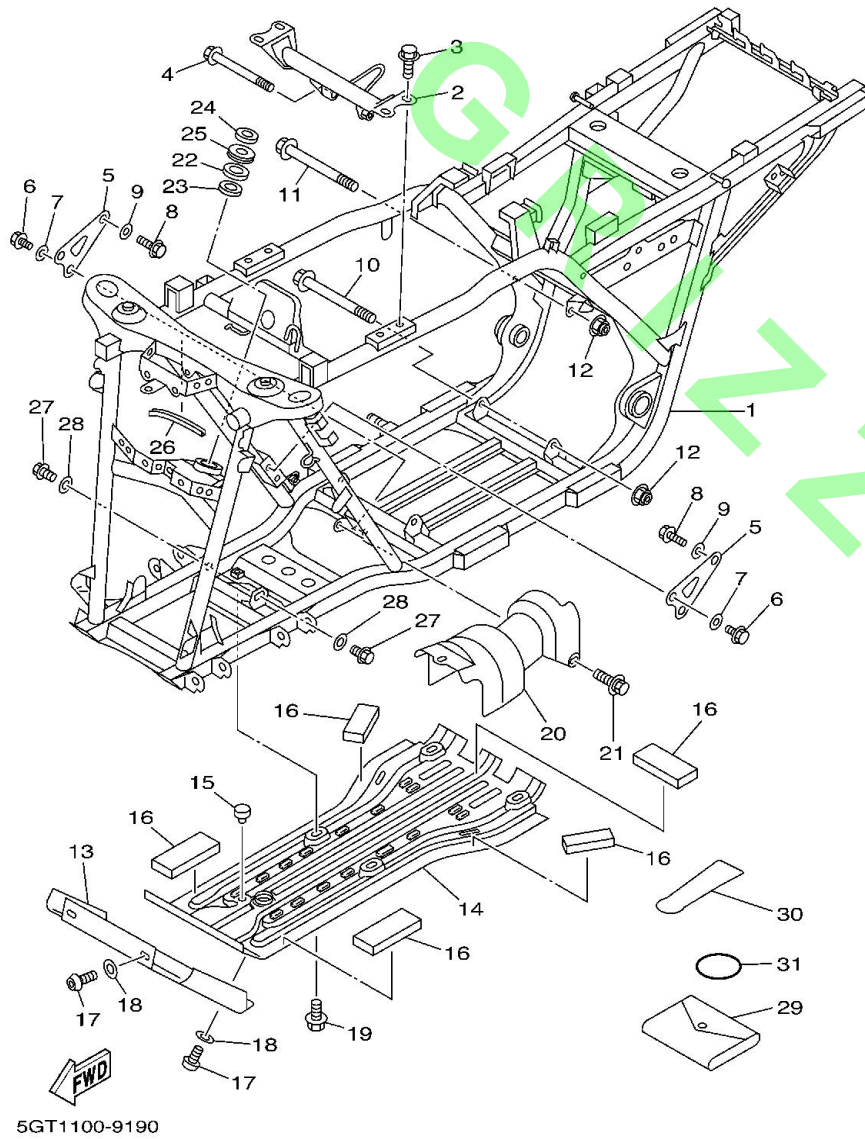
Ref. No.	Part No.	Description		Remarks
	1 4WV-14611-00	PIPE, EXHAUST 1	1	
	2 4WV-14628-00	PROTECTOR, EXHAUST PIPE	1	
	3 4WV-1465R-01	PLATE, PROTECTOR	1	
	4 95817-06010	BOLT, FLANGE	3	
	5 90201-06071	WASHER, PLATE	3	
	6 5GT-14711-00	MUFFLER 1	1	
	7 95885-10014	. BOLT, FLANGE	1	
	8 92990-10600	. WASHER, PLATE	1	
	9 3YF-14755-00	GASKET, SILENCER	1	
	10 4WV-14728-01	PROTECTOR, MUFFLER 2	1	
	11 4WV-1465T-01	PLATE, PROTECTOR	1	
	12 95817-06010	BOLT, FLANGE	3	
	13 90201-06071	WASHER, PLATE	3	
	14 5GT-14718-00	PROTECTOR, MUFFLER 1	1	
	15 95817-06010	BOLT, FLANGE	3	
	16 4WV-14752-00	PIPE, OUTLET	1	
	17 97007-06008	BOLT	1	
	18 95817-08045	BOLT, FLANGE	1	
	19 90201-086J0	WASHER, PLATE	1	
	20 95817-08020	BOLT, FLANGE	2	
	21 90201-08326	WASHER, PLATE	2	
	22 90179-06668	NUT	4	
	23 3YF-14613-01	GASKET, EXHAUST PIPE	2	

Fig. 19 FRAME



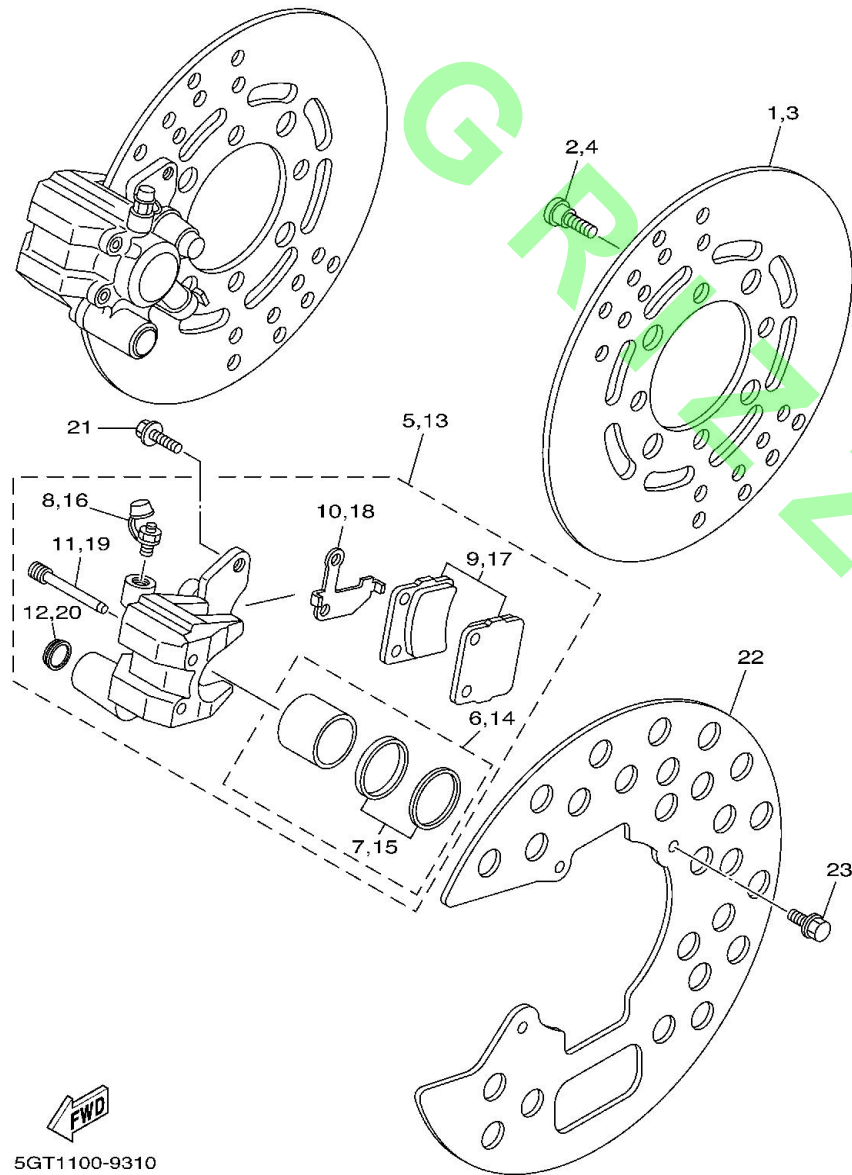
Ref. No.	Part No.	Description	Quantity	Remarks
	1 5GT-21110-00	FRAME COMP.	1	
	2 4WV-21315-00	STAY, ENGINE 2	1	
	3 95817-08012	BOLT, FLANGE	4	
	4 95817-10080	BOLT, FLANGE	1	
	5 5GT-21316-00	STAY, ENGINE 3	2	
	6 95817-08014	BOLT, FLANGE	4	
	7 90201-08730	WASHER, PLATE	4	
	8 95817-10035	BOLT, FLANGE	2	
	9 92907-10200	WASHER, PLAIN	2	
	10 95817-10190	BOLT, FLANGE	2	
	11 95817-10140	BOLT, FLANGE	1	
	12 95607-10200	NUT, U FLANGE	3	
	13 5GT-2147A-10	GUARD, ENGINE 1	1	UR DPBSE
	5GT-2147A-20	GUARD, ENGINE 1	1	UR RTR,PDG
	14 5GT-2147E-00	GUARD, ENGINE 2	1	
	15 4N0-27114-00	STOPPER, MAIN STAND	1	
	16 41R-21717-00	DAMPER	5	
	17 90109-081F0	BOLT	4	
	18 90201-08730	WASHER, PLATE	4	
	19 90119-08212	BOLT, WITH WASHER	4	
	20 4WV-2147J-00	COVER, SHAFT 1	1	
	21 90119-06108	BOLT, WITH WASHER	3	
	22 93306-20331	BEARING	1	
	23 93102-25099	OIL SEAL	1	
	24 93102-25081	OIL SEAL	1	
	25 5GT-23872-00	HOLDER, BEARING	1	
	26 4GY-24188-00	MOLD, FUEL TANK	1	

Fig. 19 FRAME



Ref. No.	Part No.	Description		Remarks
	27 95817-10025	BOLT, FLANGE	4	
	28 90201-101J1	WASHER, PLATE	4	
	29 4WV-28100-00	TOOL KIT	1	
	30 1NV-2811A-01	GAUGE, AIR	1	
	31 93210-41041	O-RING	1	
<hr/>				
<hr/>				
<hr/>				
<hr/>				
<hr/>				
<hr/>				
<hr/>				
<hr/>				

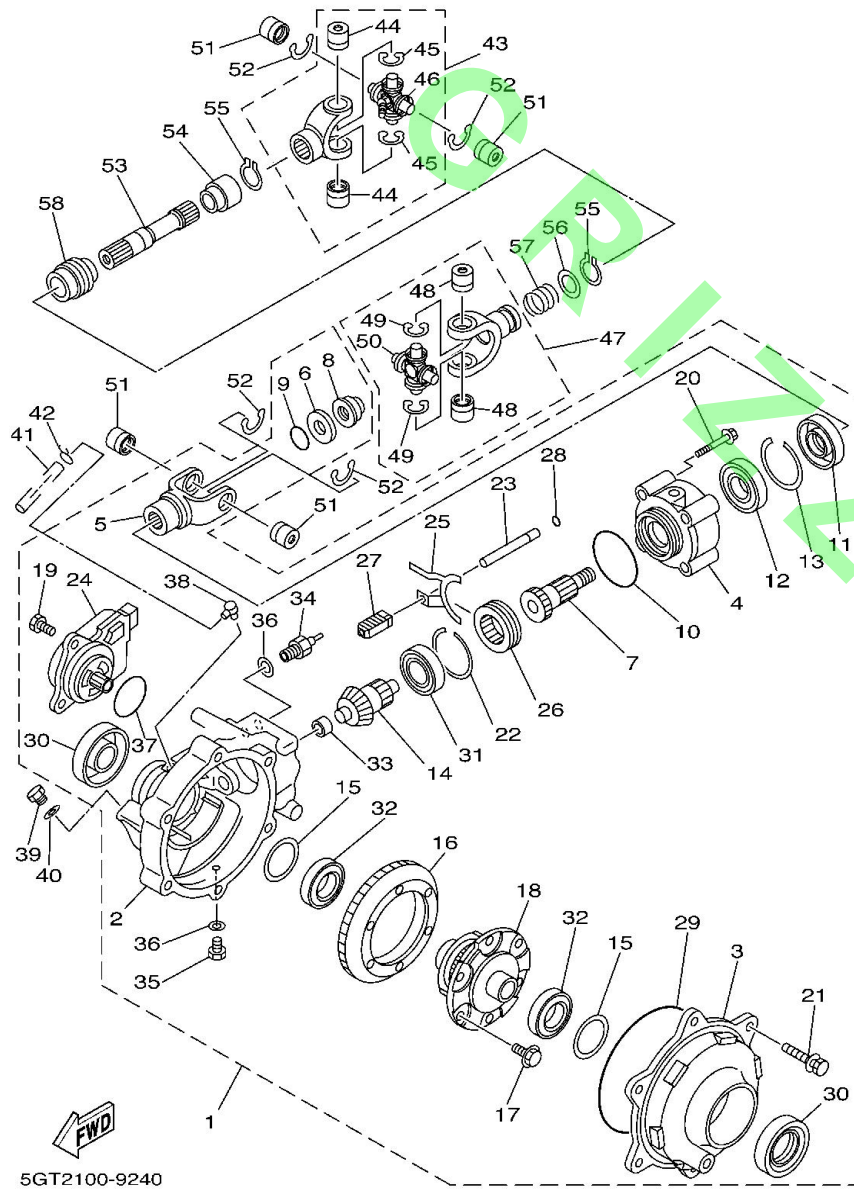
Fig. 31 FRONT BRAKE



5GT1100-9310

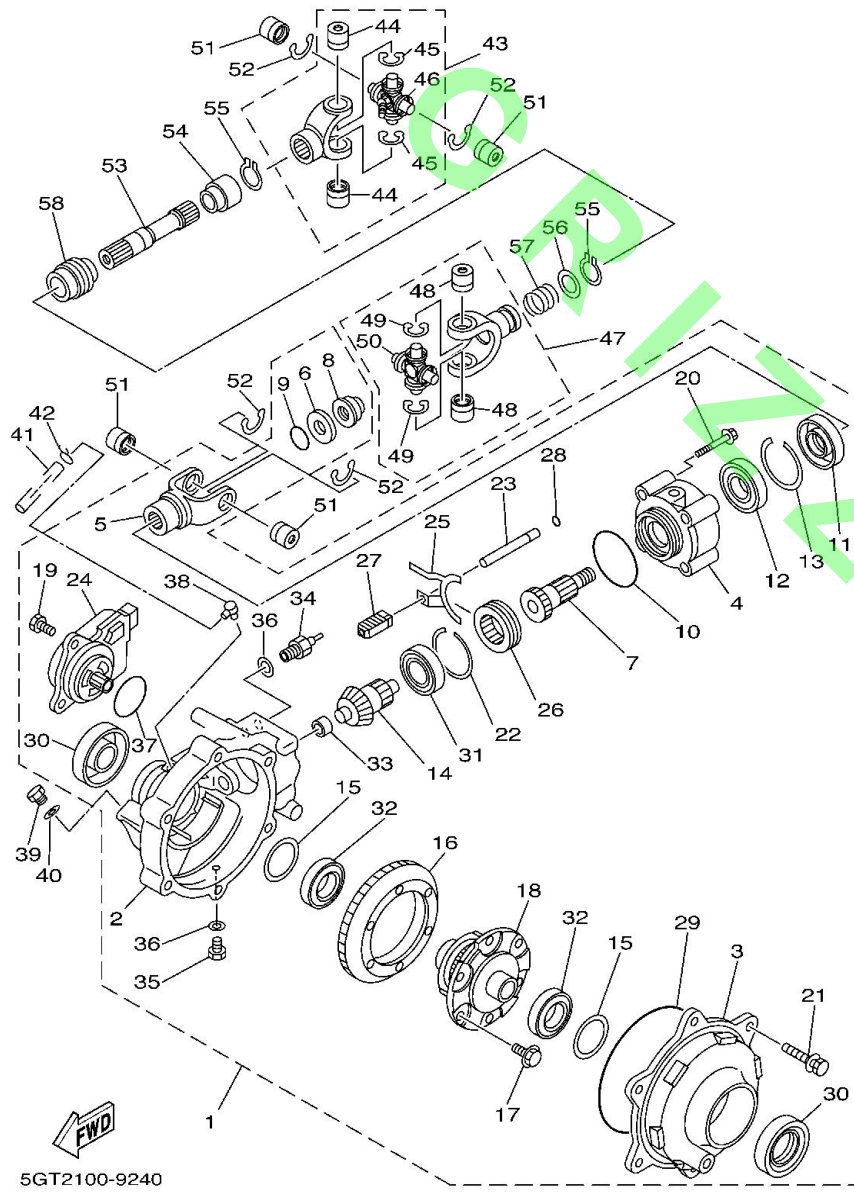
Ref. No.	Part No.	Description		Remarks
1	4WV-2582T-00	DISC, BRAKE (LEFT)	1	
2	90149-08268	SCREW	4	
3	4WV-2582T-00	DISC, BRAKE (LEFT)	1	
4	90149-08268	SCREW	4	
5	4WV-2580T-00	CALIPER ASSY (LEFT)	1	
<hr/>				
6	3GD-W0057-00	. PISTON ASSY, CALIPER	1	
7	3GD-W0047-00	. . CALIPER SEAL KIT	1	
8	1UY-W0048-50	. BLEED SCREW KIT	1	
9	4WV-W0045-00	. BRAKE PAD KIT	1	
10	3GD-25827-00	. SHIM, CALIPER	1	
<hr/>				
11	3GD-25933-00	. PIN, PAD	2	
12	3GD-25916-00	. PLUG	1	
13	4WV-2580U-00	CALIPER ASSY (RIGHT)	1	
14	3GD-W0057-00	. PISTON ASSY, CALIPER	1	
15	3GD-W0047-00	. . CALIPER SEAL KIT	1	
<hr/>				
16	1UY-W0048-50	. BLEED SCREW KIT	1	
17	4WV-W0045-00	. BRAKE PAD KIT	1	
18	3GD-25828-00	. SHIM, CALIPER	1	
19	3GD-25933-00	. PIN, PAD	2	
20	3GD-25916-00	. PLUG	1	
<hr/>				
21	90105-08538	BOLT, FLANGE	4	
22	4WV-2514A-01	RING, WHEEL 1 (LEFT)	2	
23	95827-06012	BOLT, FLANGE	6	
<hr/>				

Fig. 24 FRONT DIFFERENTIAL



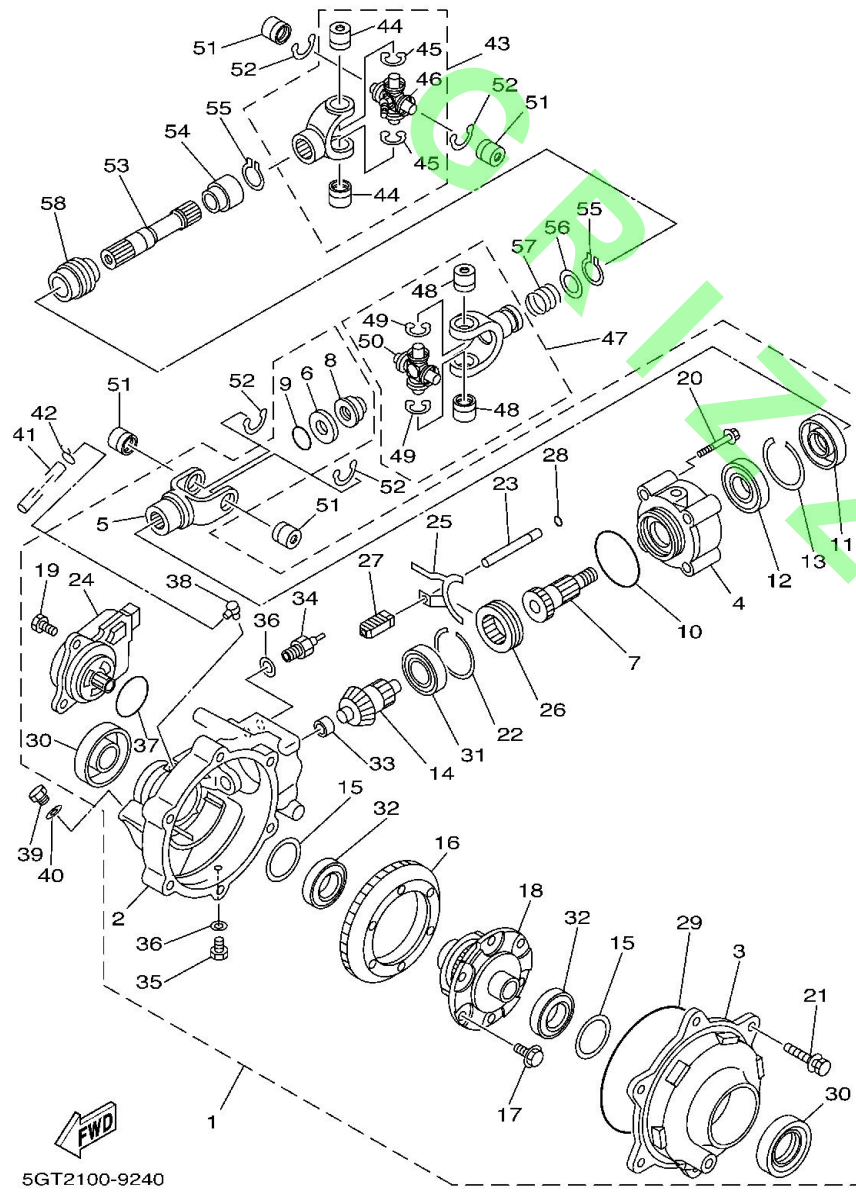
Ref. No.	Part No.	Description		Remarks
1	5GT-46160-00	FRONT AXLE GEAR CASE COMP.	1	
2	4WV-46161-00	. HOUSING, SHAFT DRIVE 2	1	
3	4WV-46162-00	. HOUSING, BEARING 2	1	
4	4WV-46144-00	. HOUSING, PINION BEARING	1	
5	5GT-46146-00	. YOKE, JOINT 2	1	
6	90201-14633	. WASHER, PLATE	1	
7	5GT-46121-00	. GEAR, DRIVE PINION	1	
8	4WV-46145-00	. NUT 1	1	
9	93210-14359	. O-RING	1	
10	93210-69628	. O-RING	1	
11	4WV-46163-00	. SEAL,OIL 1	1	
12	4WV-46164-00	. BEARING 1	1	
13	4WV-46142-00	. RING,HOLE SNAP 1	1	
14	5GT-46141-00	. PINION, DRIVE 2	1	
15	4WV-46119-00	. SHIM, THRUST (0.1T)	1	UR
	4WV-46119-10	. SHIM, THRUST (0.2T)	1	UR
	4WV-46119-20	. SHIM, THRUST (0.3T)	1	UR
	4WV-46119-30	. SHIM, THRUST (0.4T)	1	UR
	4WV-46119-40	. SHIM, THRUST (0.5T)	1	UR
	4WV-46119-50	. SHIM, THRUST (1.0T)	1	UR
	4WV-46119-60	. SHIM, THRUST (1.5T)	1	UR
	4WV-46119-70	. SHIM, THRUST (2.0T)	1	UR
	4WV-46119-80	. SHIM, THRUST (2.5T)	1	UR
16	5GT-46131-00	. GEAR, RING 2	1	
17	4WV-46155-00	. BOLT 1	6	
18	5GT-46470-00	. LIMITED SLIP DIFF. ASSY	1	
19	91317-08020	. BOLT	3	

Fig. 24 FRONT DIFFERENTIAL



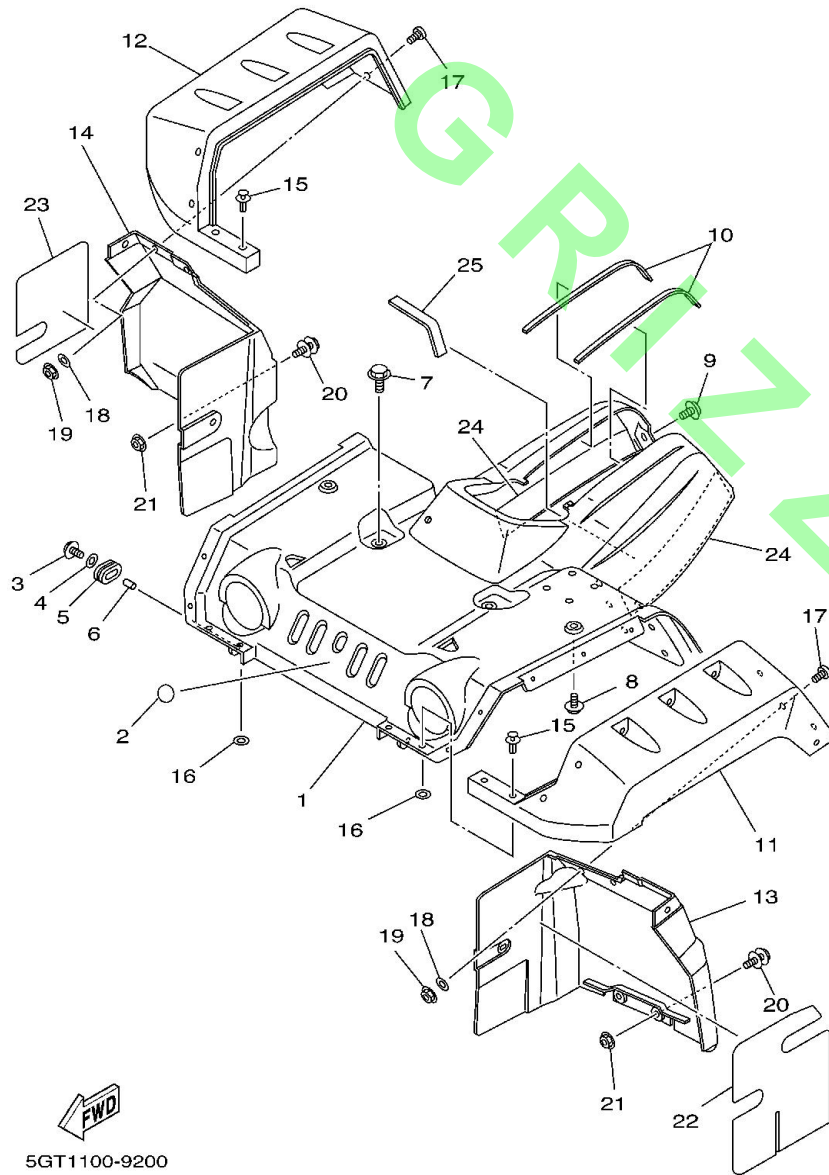
Ref. No.	Part No.	Description		Remarks
	20 4WV-46158-00	. BOLT 2	4	
	21 4WV-46159-00	. BOLT 3	6	
	22 4WV-46143-00	. RING,HOLE SNAP 2	1	
	23 4WV-18318-00	. SHAFT, SHIFTER	1	
	24 4WV-4616A-00	. SERVO MOTOR COMP	1	
<hr/>				
	25 4WV-18514-00	. FORK, SHIFT 4	1	
	26 4WV-46441-00	. CLUTCH,DRIVEN	1	
	27 4WV-18319-00	. SHAFT 2	1	
	28 4WV-46134-00	. O-RING 1	1	
	29 4WV-46135-00	. O-RING 2	1	
<hr/>				
	30 93102-35380	. OIL SEAL	2	
	31 4WV-46165-00	. BEARING 2	1	
	32 4WV-46166-00	. BEARING 3	2	
	33 4WV-46167-00	. BEARING 4	1	
	34 3GD-82540-11	. NEUTRAL SWITCH ASSY	1	
<hr/>				
	35 4WV-46168-00	. PLUG, DRAIN 1	1	
	36 4WV-46132-00	. GASKET 1	2	
	37 93210-50768	. O-RING	1	
	38 2N4-15371-00	. BREATHER	1	
	39 90340-14029	PLUG, STRAIGHT SCREW	1	
<hr/>				
	40 214-11198-01	GASKET	1	
	41 90445-072J3	HOSE (L890)	1	
	42 90467-07029	CLIP	1	
	43 5GT-46107-00	CROSS JOINT COMP. 2	1	
	44 93399-99948	. BEARING	2	
<hr/>				
	45 93440-20088	. CIRCLIP	2	
	46 5GT-46187-00	. SPIDER	1	

Fig. 24 FRONT DIFFERENTIAL



Ref. No.	Part No.	Description		Remarks
	47 5GT-46108-00	CROSS JOINT COMP. 3	1	
	48 93399-99948	. BEARING	2	
	49 93440-20088	. CIRCLIP	2	
	50 5GT-46187-00	. SPIDER	1	
	51 93399-99948	BEARING	4	
	52 93440-20088	CIRCLIP	4	
	53 5GT-46173-00	SHAFT, DRIVE 2	1	
	55 99009-19400	CIRCLIP	2	
	56 90201-20266	WASHER, PLATE (T=1.0)	1	
	57 90501-235L9	SPRING, COMPRESSION	1	
	58 5GT-46136-00	SEAL 1	1	

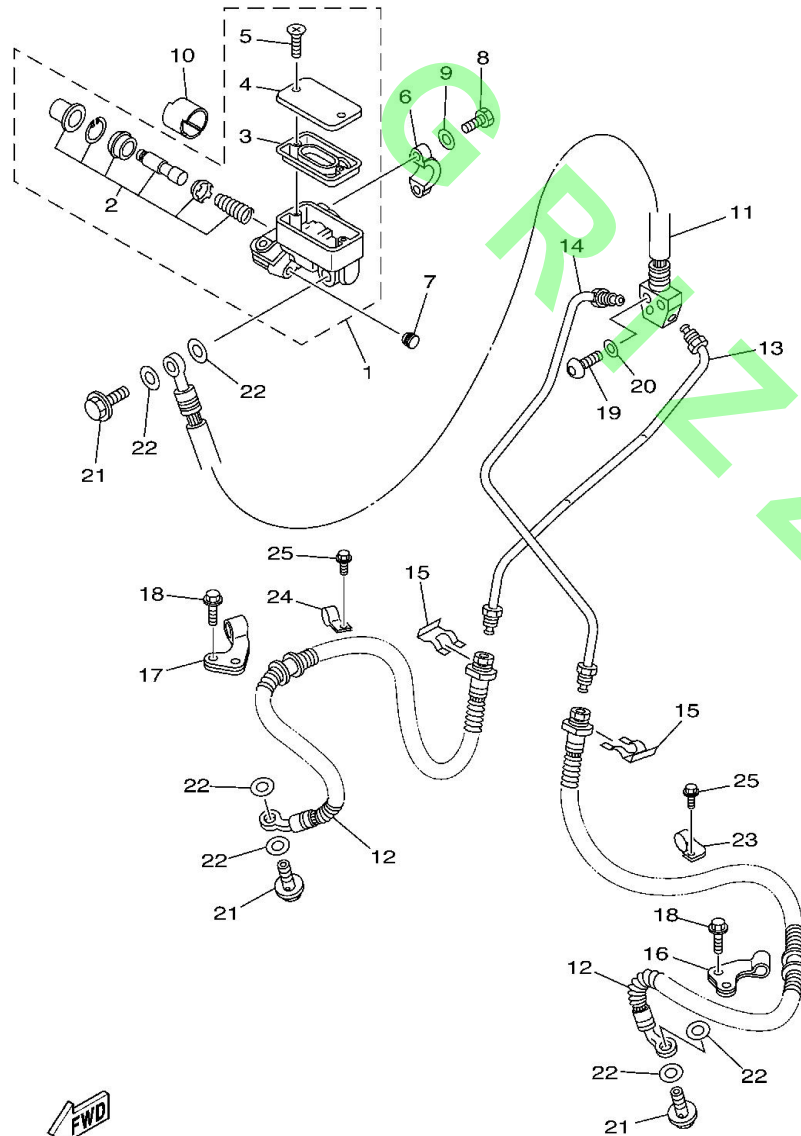
Fig. 20 FRONT FENDER



Ref. No.	Part No.	Description	Quantity	Remarks
	1 4WV-W215C-01	FRONT FENDER COMP.2	1	UR RTR
	4WV-W215C-11	FRONT FENDER COMP.2	1	UR PDG
	4WV-W215C-31	FRONT FENDER COMP.2	1	UR DPBSE
	2 5GT-2175B-00	TUNING FORK MARK,3D	1	
	3 95817-06030	BOLT, FLANGE	2	
<hr/>				
	4 90201-06074	WASHER, PLATE	2	
	5 90480-01400	GROMMET	2	
	6 90387-06387	COLLAR	2	
	7 95807-08020	BOLT, FLANGE	2	
	8 90119-06056	BOLT, WITH WASHER	2	
<hr/>				
	9 90159-06059	SCREW, WITH WASHER	4	
	10 4WV-2171L-00	MOLE, SIDE COVER 1	2	
	11 4WV-21551-00	FENDER, OVER	1	
	12 4WV-21555-00	FENDER, OVER 2	1	
	13 4WV-21559-00	FENDER, OVER 3	1	
<hr/>				
	14 4WV-21560-00	FENDER, OVER 4	1	
	15 90269-07076	RIVET	22	
	16 90201-076J4	WASHER, PLATE	20	
	17 90154-05052	SCREW, BINDING	6	
	18 90201-05029	WASHER, PLATE	6	
<hr/>				
	19 95707-05300	NUT, FLANGE	6	
	20 90119-06063	BOLT, WITH WASHER	4	
	21 95707-06500	NUT, FLANGE	4	
<hr/>				
	22 4WV-21541-00	DAMPER 1	1	
	23 4WV-21542-00	DAMPER 2	1	
<hr/>				
	24 4WV-21543-00	PLATE 1	2	
	25 2HX-24181-00	DAMPER, LOCATING 1	1	



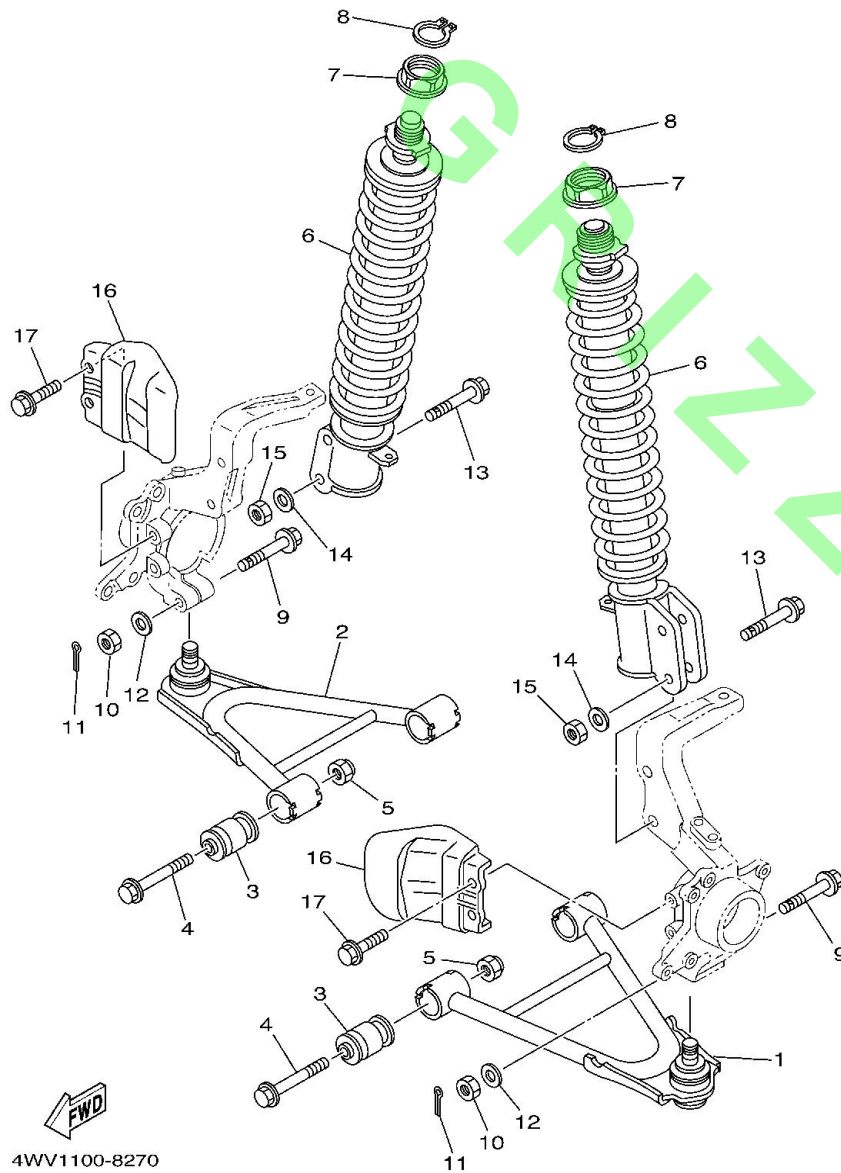
Fig. 34 FRONT MASTER CYLINDER



5GT1100-9340

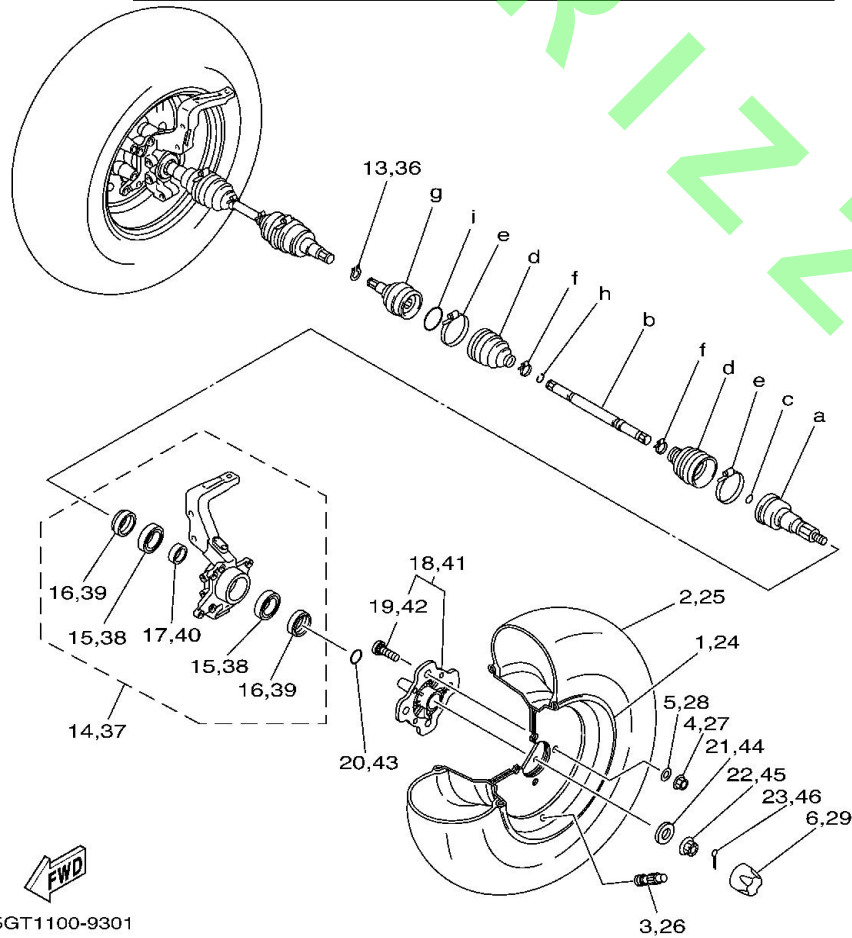
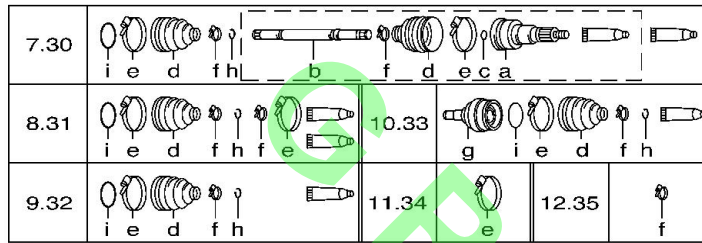
Ref. No.	Part No.	Description		Remarks
1	4WV-25870-10	MASTER CYLINDER SUB ASSY	1	
2	4K0-W0041-50	. CYLINDER KIT, MASTER	1	
3	4L0-25854-00	. DIAPHRAGM, RESERVOIR	1	
4	4H7-25852-00	. CAP, RESERVOIR	1	
5	98706-04012	. SCREW, FLAT HEAD	2	
6	56A-25867-00	BRACKET, MASTER CYLINDER	1	
7	90338-12192	PLUG	1	
8	97007-06025	BOLT	2	
9	92907-06600	WASHER, PLATE	2	
10	1UY-26259-00	COLLAR	1	
11	4WV-25872-00	HOSE, BRAKE 1	1	
12	4WV-25873-00	HOSE, BRAKE 2	2	
13	4WV-25871-00	PIPE, BRAKE	1	
14	4WV-25882-00	PIPE, BRAKE 2	1	
15	2GU-25866-00	CIRCLIP	2	
16	4GB-25875-00	HOLDER, BRAKE HOSE 1	1	
17	4GB-25876-00	HOLDER, BRAKE HOSE 2	1	
18	95827-06012	BOLT, FLANGE	4	
19	97027-08030	BOLT	2	
20	92907-08600	WASHER, PLATE	2	
21	90401-10159	BOLT, UNION	3	
22	90201-10118	WASHER, PLATE	6	
23	4WV-25875-00	HOLDER, BRAKE HOSE 1	1	
24	4WV-25876-00	HOLDER, BRAKE HOSE 2	1	
25	95827-06012	BOLT, FLANGE	4	

Fig. 27 FRONT SUSPENSION & WHEEL



Ref. No.	Part No.	Description	Quantity	Remarks
	1 5GT-23570-01	FRONT LOWER ARM COMP. (LEFT)	1	
	2 5GT-23580-01	FRONT LOWER ARM COMP. (RIGHT)	1	
	3 4WV-23526-00	BUSH	4	
	4 90105-10253	BOLT, FLANGE	4	
	5 90185-10060	NUT, SELF-LOCKING	4	
	6 4WV-23350-00	SHOCK ABSORBER ASSY	2	UR RTR,PDG
	4WV-23350-10	SHOCK ABSORBER ASSY	2	UR DPBSE
	7 90179-35625	NUT	2	
	8 93410-32075	CIRCLIP	2	
	9 90105-10728	BOLT, FLANGE	2	
	10 95337-10600	NUT	2	
	11 91401-20020	PIN, COTTER	2	
	12 90201-08759	WASHER, PLATE	2	
	13 95817-12050	BOLT, FLANGE	4	
	14 90201-122H1	WASHER, PLATE	4	
	15 95617-12100	NUT, U	4	
	16 4WV-2331M-00	COVER, RING	2	
	17 90119-06228	BOLT, WITH WASHER	4	

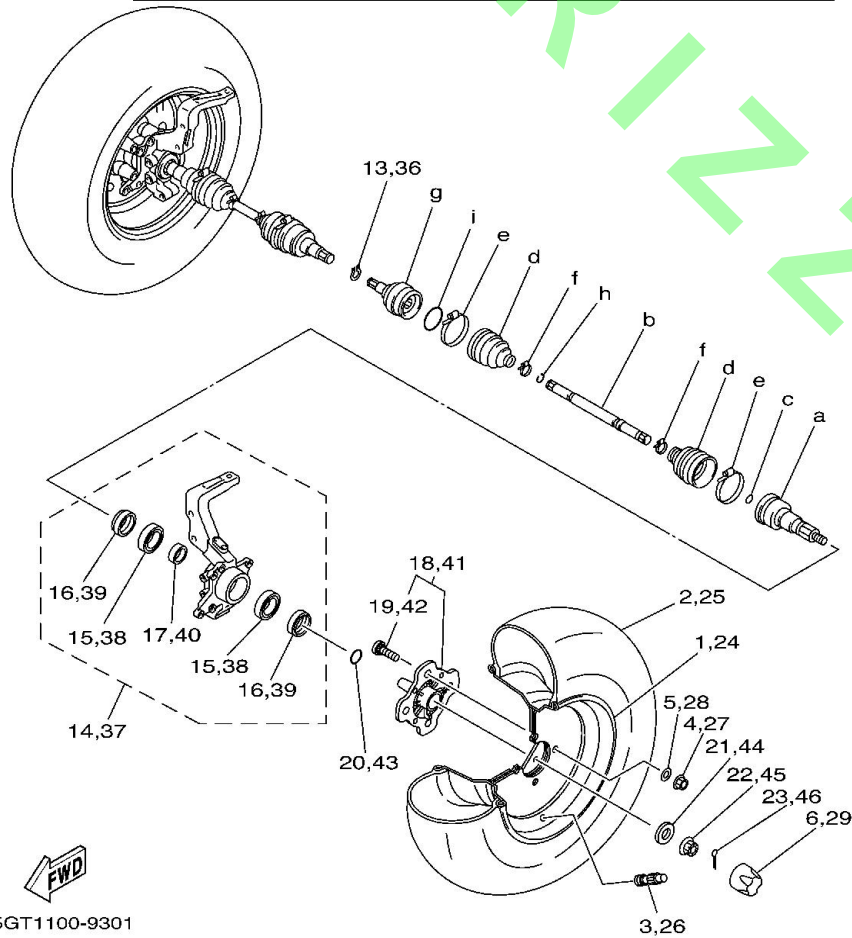
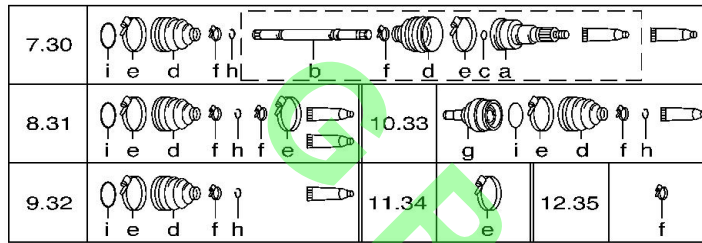
Fig. 30 FRONT WHEEL



FWD  
5GT1100-9301

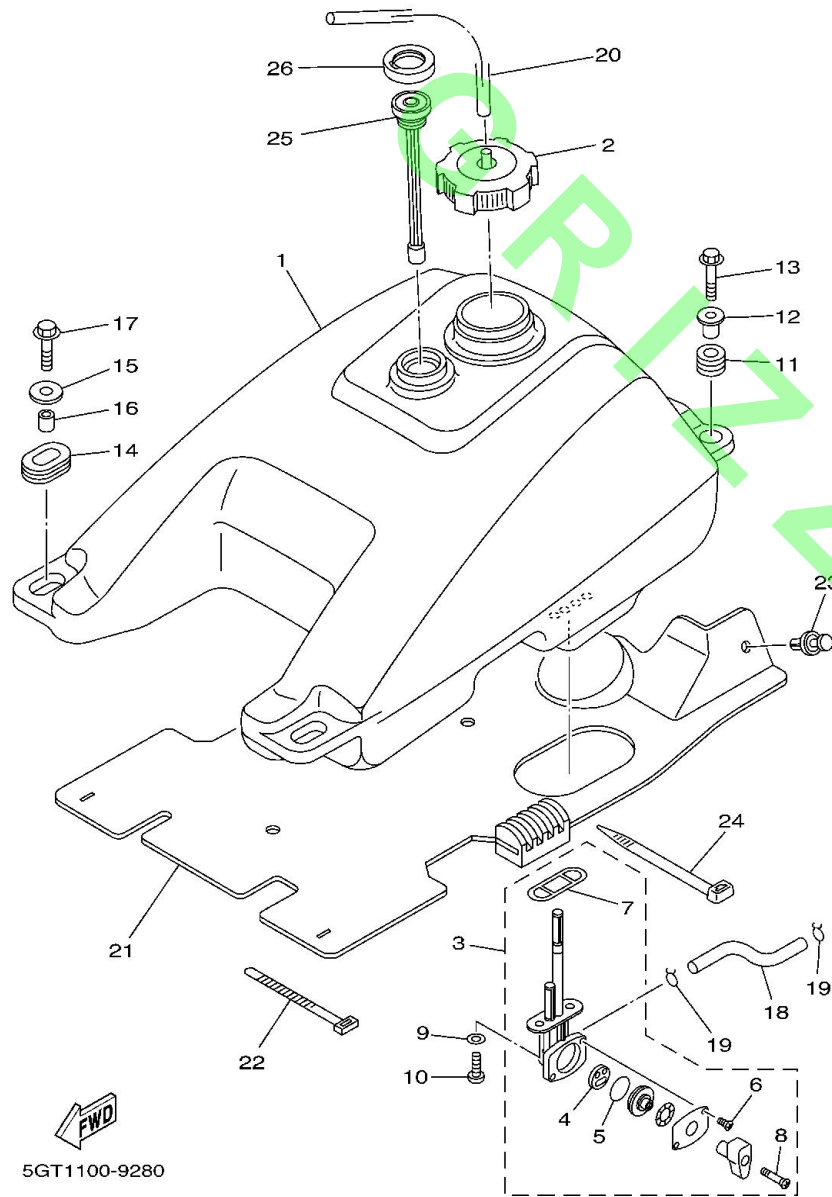
Ref. No.	Part No.	Description	Remarks
1	5GT-25180-00	WHEEL COMP.	1 UR RTR,PDG
	5GT-25180-10	WHEEL COMP.	1 UR DPBSE
2	94108-1215F	TIRE (AT25 X 8 - 12)	1 DUNLOP-KT404A
3	93900-00022	VALVE, RIM (TR413)	1 TAIHEIYO
4	95707-10500	NUT, FLANGE	4
5	92907-10200	WASHER, PLAIN	4
6	5GT-2512A-00	CAP, WHEEL	1
7	5GT-2510F-00	BALL JOINT SET	1
8	5GT-2510G-00	BOOT SET (BALL JOINT)	1
9	5GT-2510H-00	BOOT SET (DOUBLE OFFSET JOINT)	1
10	5GT-2510J-00	DOUBLE OFF SET JOINT	1
11	4WV-2511G-00	BOOT BAND (BALL JOINT)	2
12	4WV-2512G-00	BOOT BAND (SMALL)	2
13	93450-22119	CIRCLIP	1
14	5GT-23501-00	STEERING KNUCKLE ASSY (LEFT)	1
15	93306-00615	. BEARING	2
16	93102-38417	. OIL SEAL	2
17	90560-30325	. SPACER	1
18	5GT-25111-00	HUB, FRONT	1
19	90114-10011	. BOLT, SERRATION	4
20	93210-27666	O-RING	1
21	90201-162L6	WASHER, PLATE	1
22	90171-16048	NUT, CASTLE	1
23	91401-30030	PIN, COTTER	1
24	5GT-25180-00	WHEEL COMP.	1 UR RTR,PDG
	5GT-25180-10	WHEEL COMP.	1 UR DPBSE
25	94108-1215F	TIRE (AT25 X 8 - 12)	1 DUNLOP-KT404A

Fig. 30 FRONT WHEEL



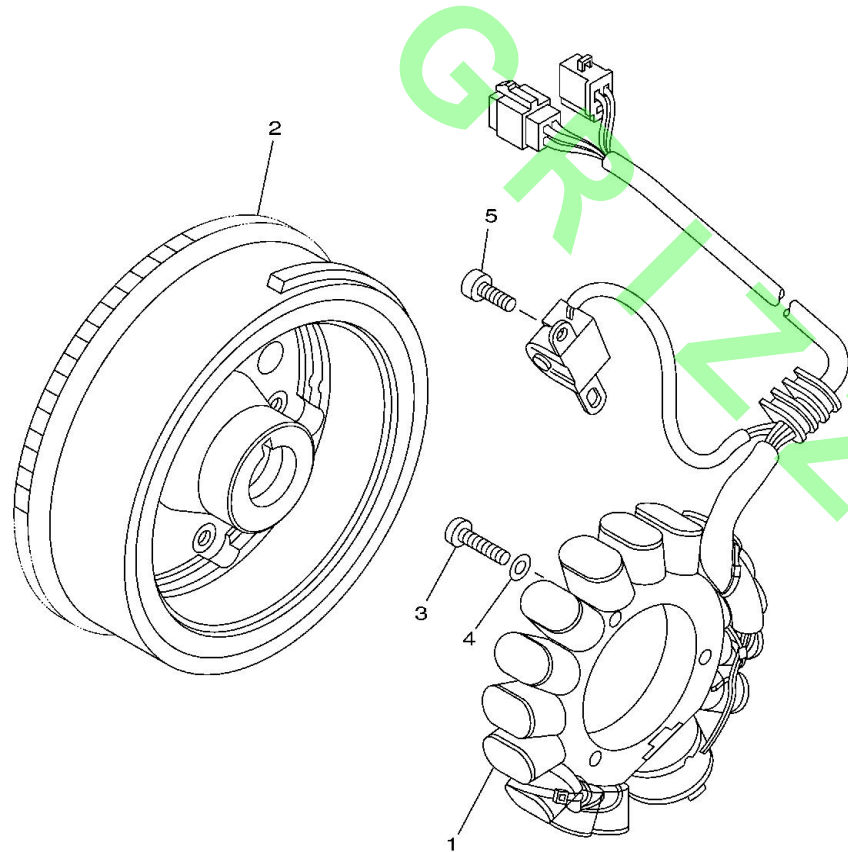
Ref. No.	Part No.	Description	Quantity	Remarks
	26 93900-00022	VALVE, RIM (TR413)	1	TAIHEIYO
	27 95707-10500	NUT, FLANGE	4	
	28 92907-10200	WASHER, PLAIN	4	
	29 5GT-2512A-00	CAP, WHEEL	1	
	30 5GT-2510F-00	BALL JOINT SET	1	
	31 5GT-2510G-00	BOOT SET (BALL JOINT)	1	
	32 5GT-2510H-00	BOOT SET (DOUBLE OFFSET JOINT)	1	
	33 5GT-2510J-00	DOUBLE OFF SET JOINT	1	
	34 4WV-2511G-00	BOOT BAND (BALL JOINT)	2	
	35 4WV-2512G-00	BOOT BAND (SMALL)	2	
	36 93450-22119	CIRCLIP	1	
	37 5GT-23502-00	STEERING KNUCKLE ASSY (RIGHT)	1	
	38 93306-00615	. BEARING	2	
	39 93102-38417	. OIL SEAL	2	
	40 90560-30325	. SPACER	1	
	41 5GT-25111-00	HUB, FRONT	1	
	42 90114-10011	. BOLT, SERRATION	4	
	43 93210-27666	O-RING	1	
	44 90201-162L6	WASHER, PLATE	1	
	45 90171-16048	NUT, CASTLE	1	
	46 91401-30030	PIN, COTTER	1	

Fig. 28 FUEL TANK



Ref. No.	Part No.	Description		Remarks
1	4WV-24110-00	FUEL TANK COMP.	1	
2	1UY-24610-00	CAP ASSY	1	
3	5GT-24500-00	FUEL COCK ASSY 1	1	
4	3AJ-24523-00	. VALVE PACKING	1	
5	3AJ-24534-00	. SEAL, COCK	1	
6	97801-03008	. SCREW, PAN HEAD	2	
7	4X8-24512-00	. O-RING	1	
8	98606-04018	. SCREW, OVAL HEAD	1	
9	90202-05193	WASHER, PLATE	2	
10	90149-06011	SCREW	2	
11	90480-18290	GROMMET	2	
12	90387-066J1	COLLAR	2	
13	95807-06030	BOLT, FLANGE	2	
14	90480-01400	GROMMET	2	
15	90201-060L5	WASHER, PLATE	2	
16	90387-07598	COLLAR	2	
17	90119-06073	BOLT, WITH WASHER	2	
18	90445-10679	HOSE (L115)	1	
19	90467-09103	CLIP	2	
20	90445-083J5	HOSE (L600)	1	
21	4WV-2414H-00	DAMPER, PLATE 1	1	
22	437-83936-11	BAND, SWITCH CORD	2	
23	90269-07076	RIVET	2	
24	1UA-82591-00	BAND	2	
25	4SH-24260-00	FUEL METER ASSY	1	
26	4SH-24261-00	HOUSING, FUEL METER	1	

Fig. 37 GENERATOR

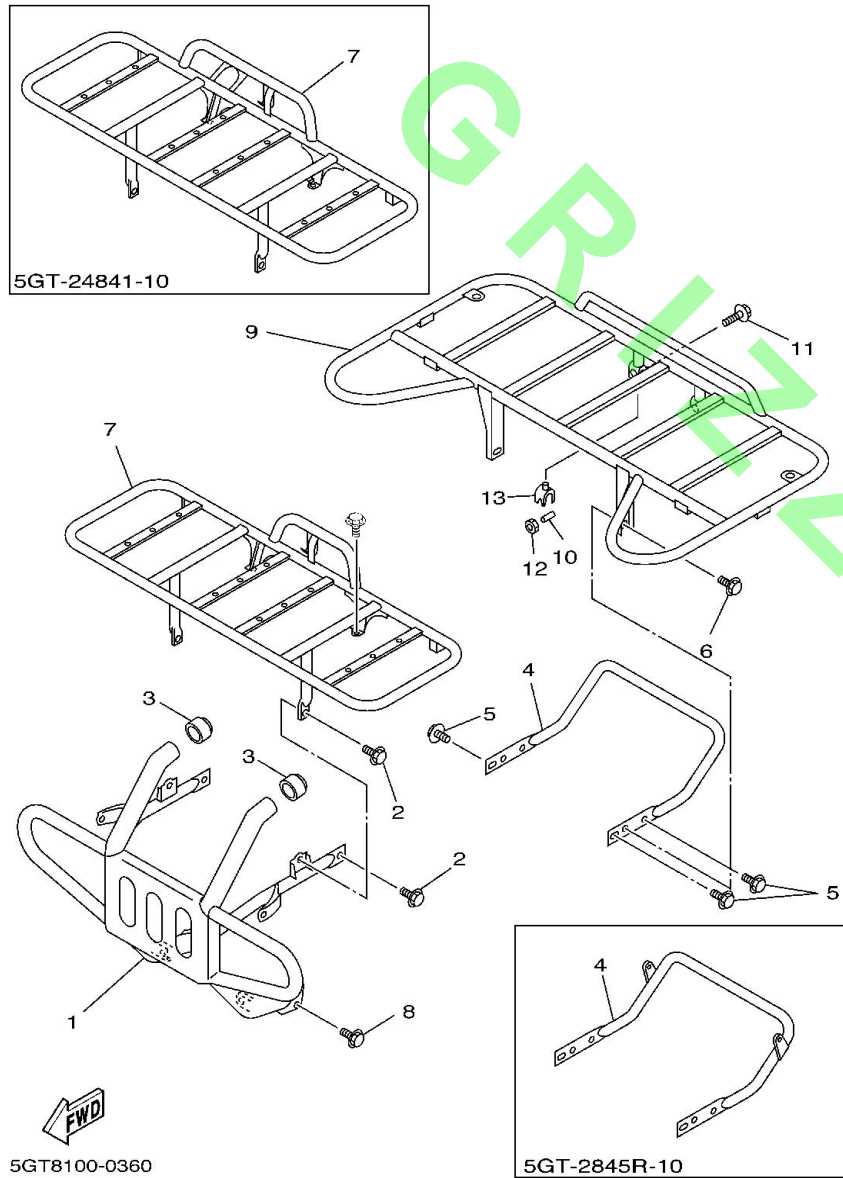


Ref. No.	Part No.	Description	Remarks
1	5GT-85510-00	STATOR ASSY	1
2	5GT-85550-00	ROTOR ASSY	1
3	98507-06030	SCREW, PAN HEAD	3
4	92907-06600	WASHER, PLATE	3
5	91317-05012	BOLT	2
-----			
-----			
-----			
-----			
-----			
-----			
-----			
-----			
-----			
-----			



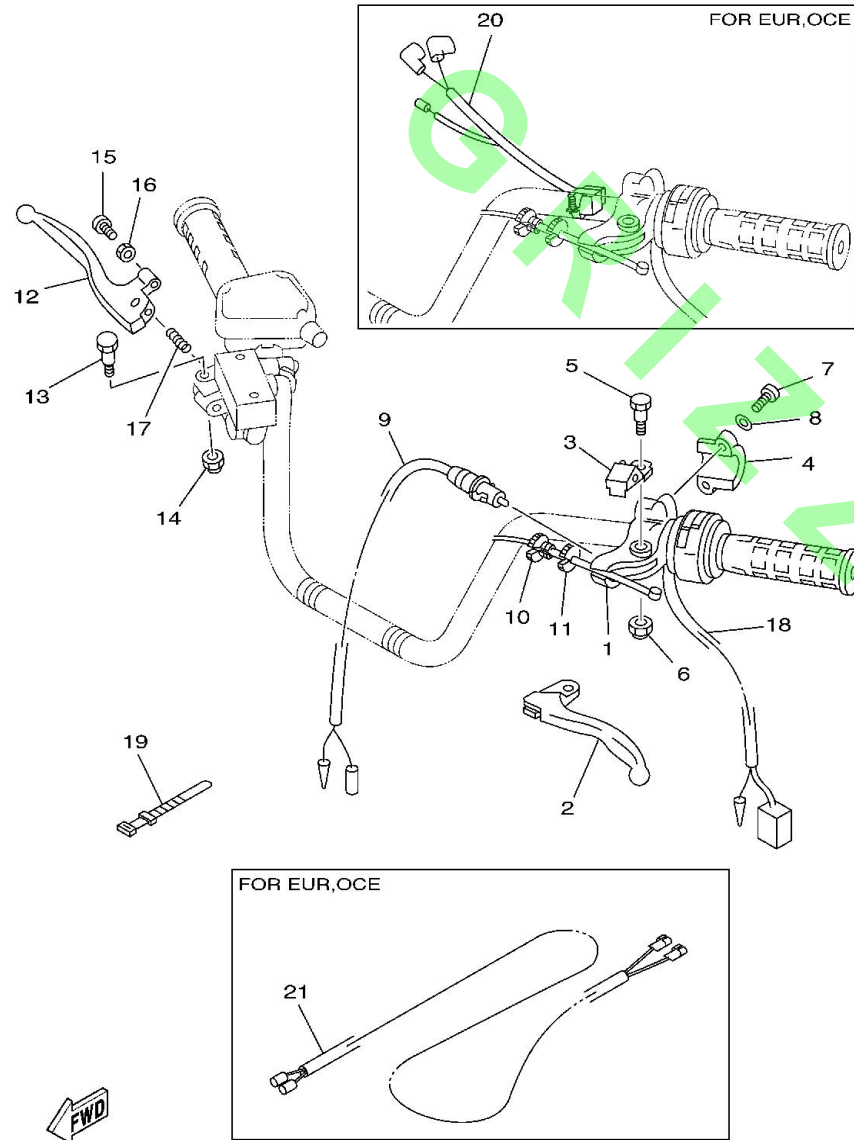
4WV1100-8370

Fig. 36 GUARD



Ref. No.	Part No.	Description	Remarks
1	5GT-2845N-10	BAR, CARRY FRONT	1 UR RTR,PDG
2	95817-08016	BOLT, FLANGE	4
3	2HR-28415-00	DAMPER 1	2
4	5GT-2845R-10	BAR, CARRY REAR	1
5	95817-08016	BOLT, FLANGE	3
6	95817-08020	BOLT, FLANGE	2
7	5GT-24841-00	CARRIER, FRONT	1
8	95817-08016	BOLT, FLANGE	2
9	5GT-24842-00	CARRIER, REAR	1
10	90560-06243	SPACER	2
11	95827-06035	BOLT, FLANGE	2
12	95607-06100	NUT, U	2
13	24W-2483H-00	BAND	2

Fig. 43 HANDLE SWITCH & LEVER

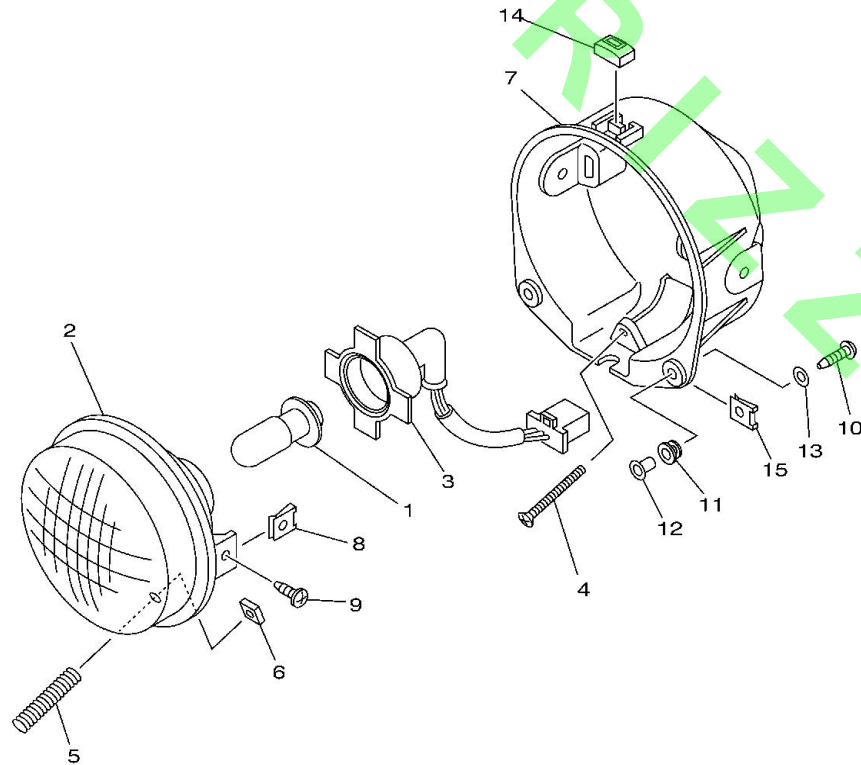


5GTF100-1430

Ref. No.	Part No.	Description		Remarks
1	1YW-82911-01	HOLDER, LEVER 1	1	
2	2HT-83912-00	LEVER 1	1	
3	1YW-83965-00	LEVER, LOCK	1	
4	2XJ-82913-00	HOLDER, LEVER LOWER 1	1	
5	90109-06576	BOLT	1	
6	95607-06100	NUT, U	1	
7	98507-06020	SCREW, PAN HEAD	2	
8	92907-06100	WASHER, SPRING	2	
9	1YW-83980-00	FRONT STOP SWITCH ASSY	1	
10	90123-08046	BOLT	1	
11	90179-08148	NUT	1	
12	38W-83922-00	LEVER 2	1	
13	90109-06577	BOLT	1	
14	95607-06100	NUT, U	1	
15	90149-06131	SCREW	1	
16	90170-06010	NUT	1	
17	90501-10312	SPRING, COMPRESSION	1	
18	4GB-83973-00	SWITCH, HANDLE 3	1	
19	437-83936-01	BAND, SWITCH CORD	4	



Fig. 40 HEADLIGHT

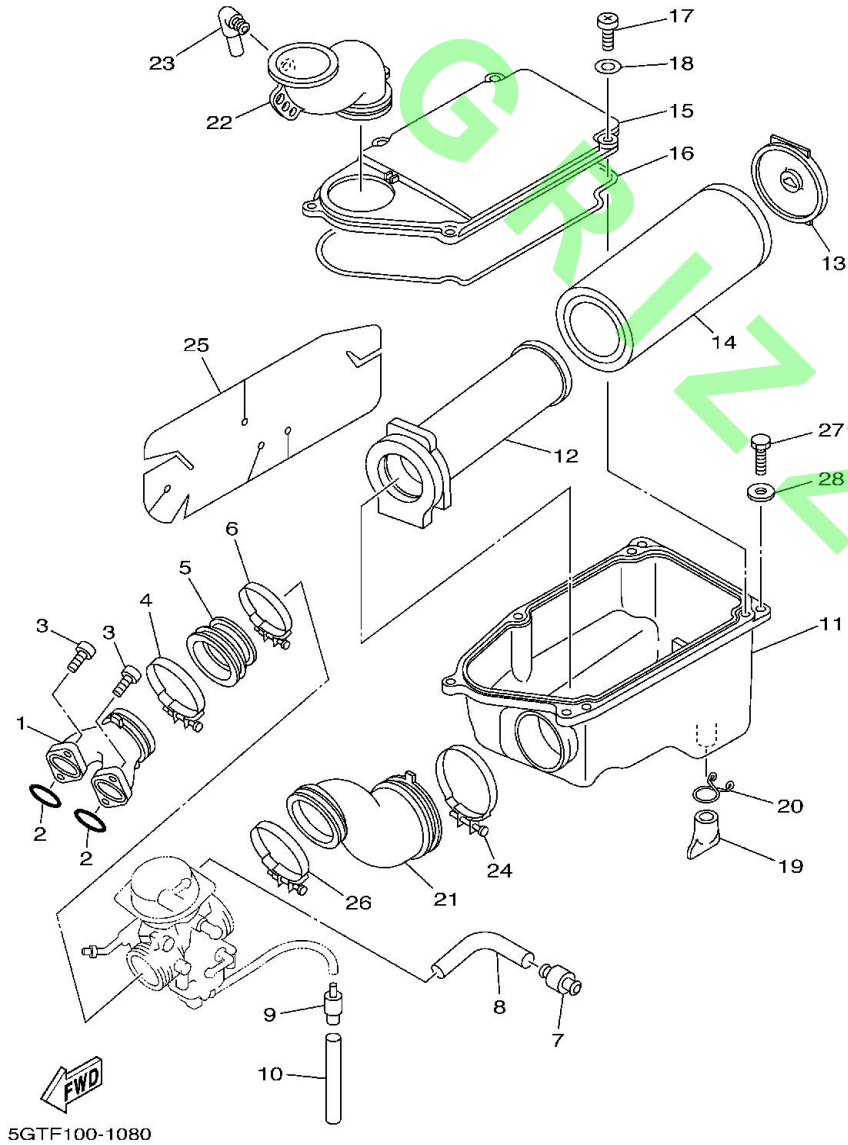


Ref. No.	Part No.	Description		Remarks
	1 4KB-84314-00	BULB (12V30/30W)	2	
	2 4WV-84320-00	LENS ASSY	2	
	3 5EH-84340-00	SOCKET CORD ASSY 1	2	
	4 98507-03540	SCREW, PAN HEAD	2	
	5 2GU-84332-00	SPRING, SCREW	2	
	6 2GU-84334-00	NUT, ADJUSTING	2	
	7 4WV-84111-01	BODY, HEADLIGHT	2	
	8 90183-05042	NUT, SPRING	4	
	9 90154-05004	SCREW, BINDING	4	
	10 97707-50025	SCREW, TAPPING	4	
	11 90480-12072	GROMMET	4	
	12 90387-065J6	COLLAR	4	
	13 92907-06200	WASHER	4	
	14 5GT-84163-00	DAMPER	2	
	15 90183-05008	NUT, SPRING	4	



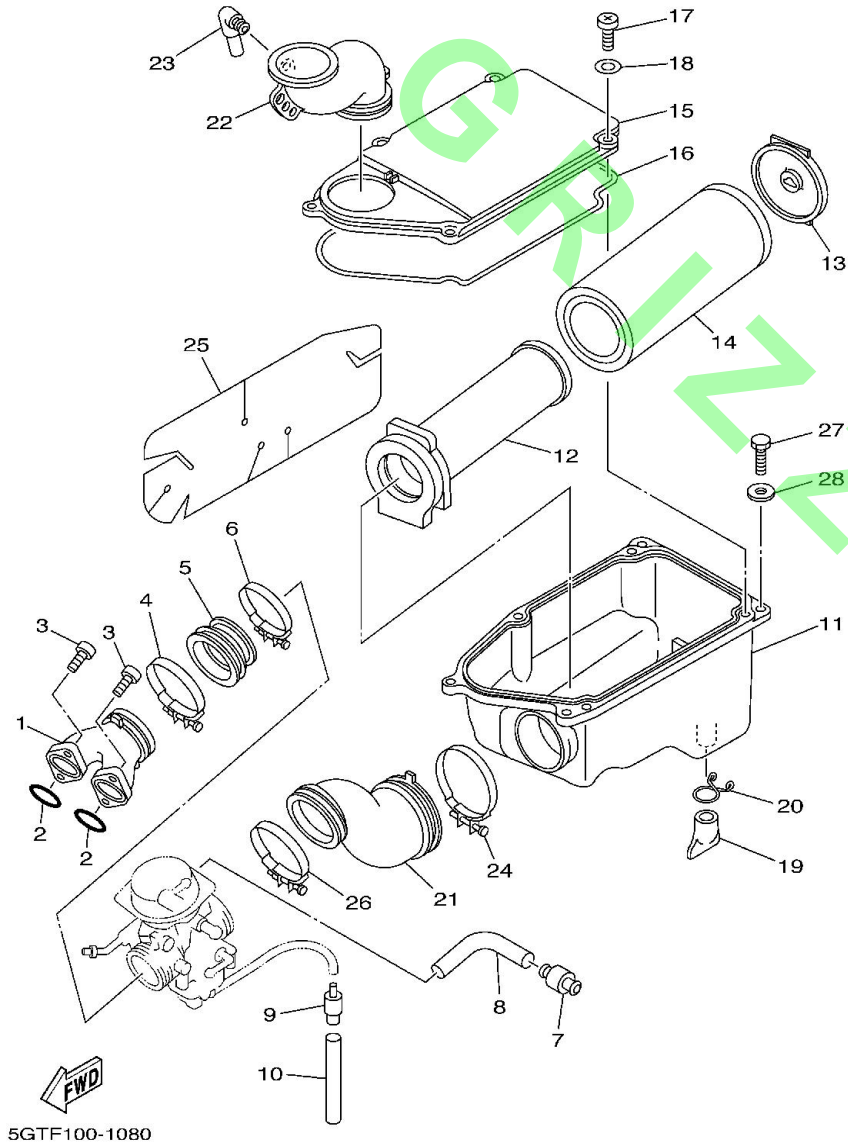
5GTF100-1401

Fig. 08 INTAKE



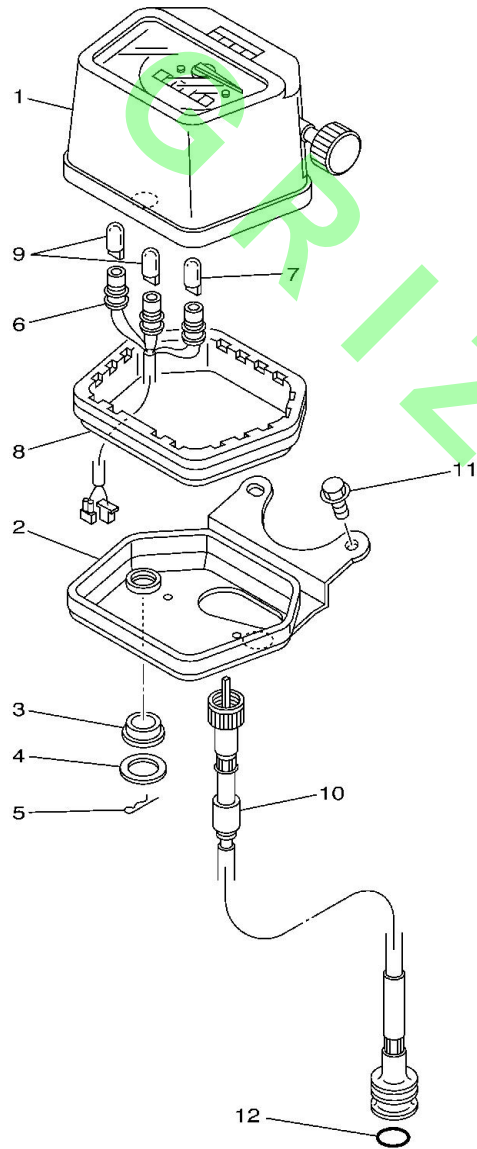
Ref. No.	Part No.	Description		Remarks
	1	4WV-13586-01	JOINT, CARBURETOR 1	1
	2	93210-36769	O-RING	2
	3	91317-06020	BOLT	4
	4	90450-63088	HOSE CLAMP ASSY	1
	5	4WV-13596-00	JOINT, CARBURETOR 2	1
	6	90450-57044	HOSE CLAMP ASSY	1
	7	4X7-14467-01	SEAL	1
	8	4WV-14349-00	PIPE	1
	9	24W-14193-00	PIPE	1
	10	91A20-07010	TUBE, FLEXIBLE VINYL	1
	11	1UY-14411-01	CASE, AIR CLEANER 1	1
	12	1UY-14458-01	GUIDE	1
	13	1UY-14468-00	PLATE,ELEMENT FITTING	1
	14	1UY-14451-00	ELEMENT, AIR CLEANER	1
	15	1UY-14412-01	CAP, CLEANER CASE 1	1
	16	10M-14457-00	SEAL	1
	17	98507-05016	SCREW, PAN HEAD	5
	18	92907-05600	WASHER, PLATE	5
	19	59V-14457-00	SEAL	1
	20	90467-22080	CLIP	1
	21	4WV-14453-00	JOINT, AIR CLEANER 1	1
	22	4WV-14437-00	DUCT	1
	23	31A-14419-00	PIPE	1
	24	90460-75020	CLAMP, HOSE	1
	25	4WV-1442F-01	PROTECTOR	1
	26	90460-64065	CLAMP, HOSE	1
	27	97007-06020	BOLT	3

Fig. 08 INTAKE



Ref. No.	Part No.	Description	Quantity	Remarks
	28 92907-06600	WASHER, PLATE	3	
<hr/>				
<hr/>				
<hr/>				
<hr/>				
<hr/>				
<hr/>				
<hr/>				
<hr/>				
<hr/>				

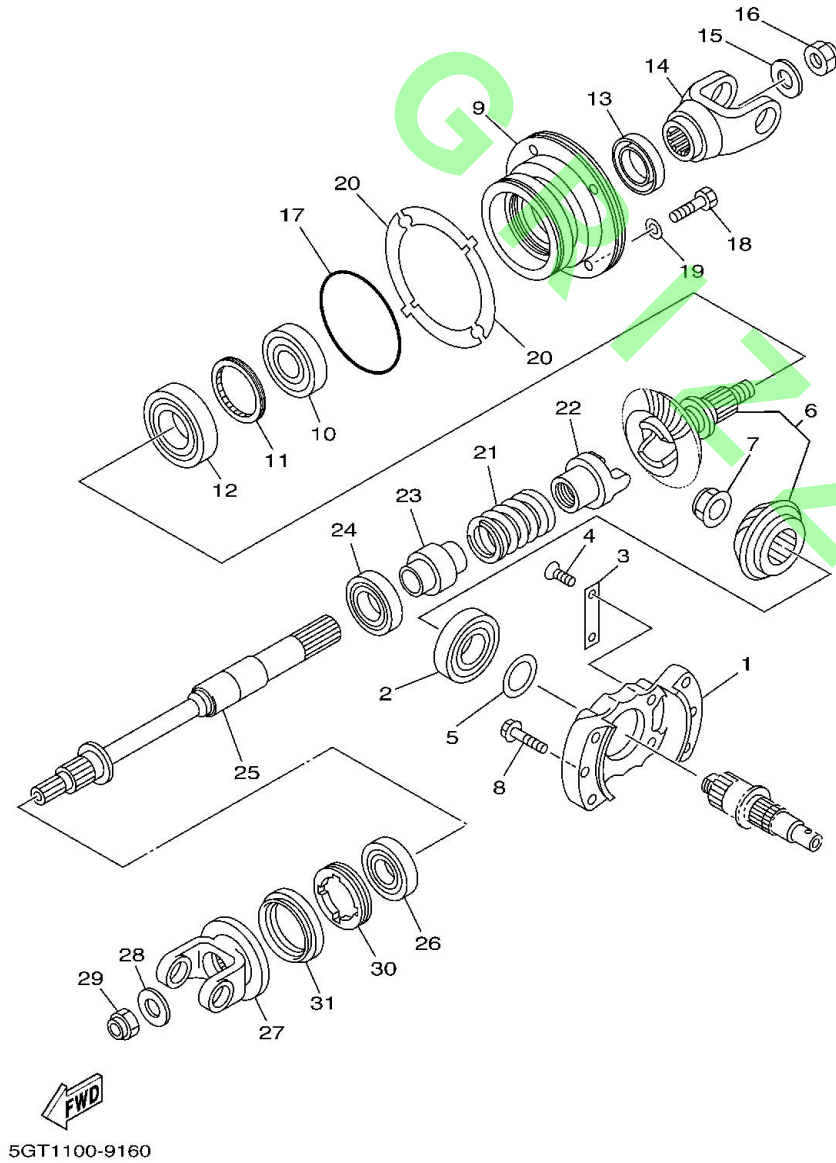
Fig. 39 METER



4WV1100-8390

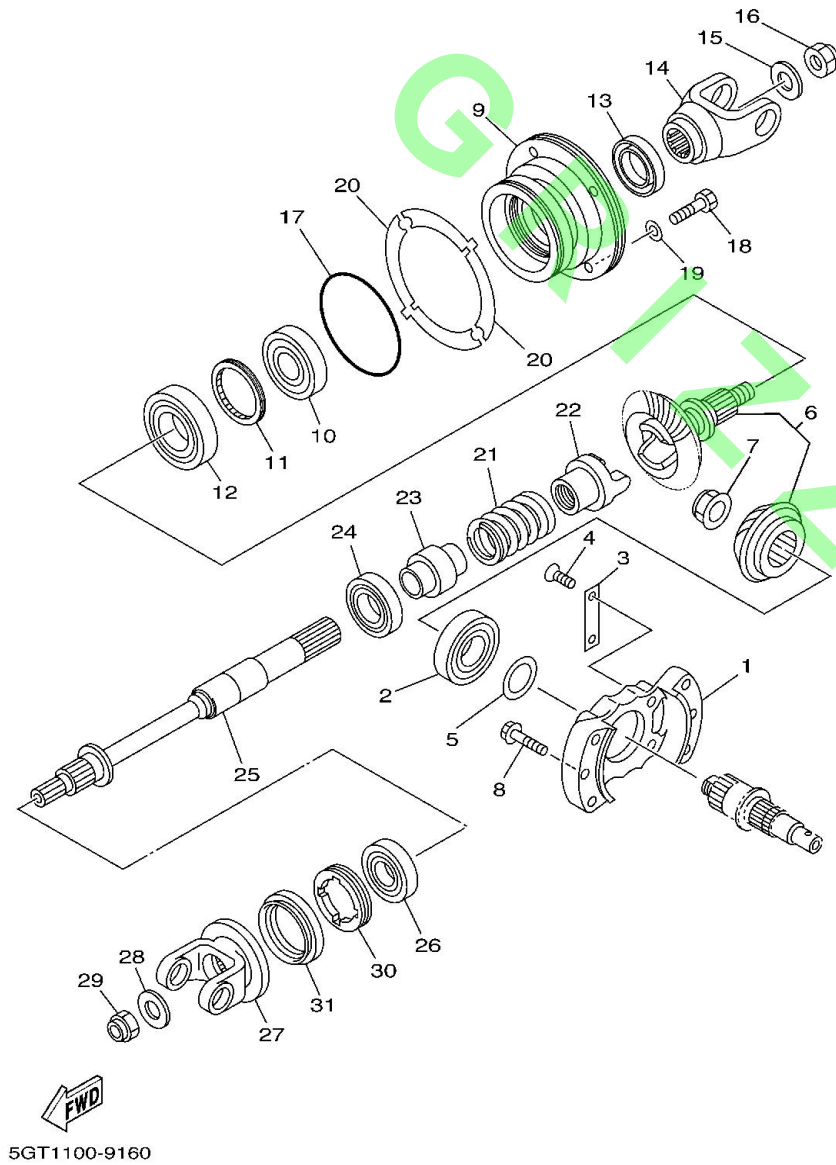
Ref. No.	Part No.	Description		Remarks
1	4WV-83570-10	SPEEDOMETER ASSY	1	
2	4GB-83519-00	BRACKET, METER	1	
3	1M1-83526-00	DAMPER 2	2	
4	53Y-83524-00	WASHER, SPECIAL	2	
5	437-83525-00	CLIP	2	
6	4WV-83536-00	SOCKET, METER	1	
7	4R0-83517-00	BULB (12V-3.4W T10)	1	
8	5Y0-83513-00	DAMPER	1	
9	3GM-83517-00	BULB (12V-1.7W)	2	
10	4WV-83550-00	SPEEDOMETER CABLE ASSY	1	
11	95807-06010	BOLT, FLANGE	2	
12	93210-14104	O-RING	1	

Fig. 16 MIDDLE DRIVE GEAR



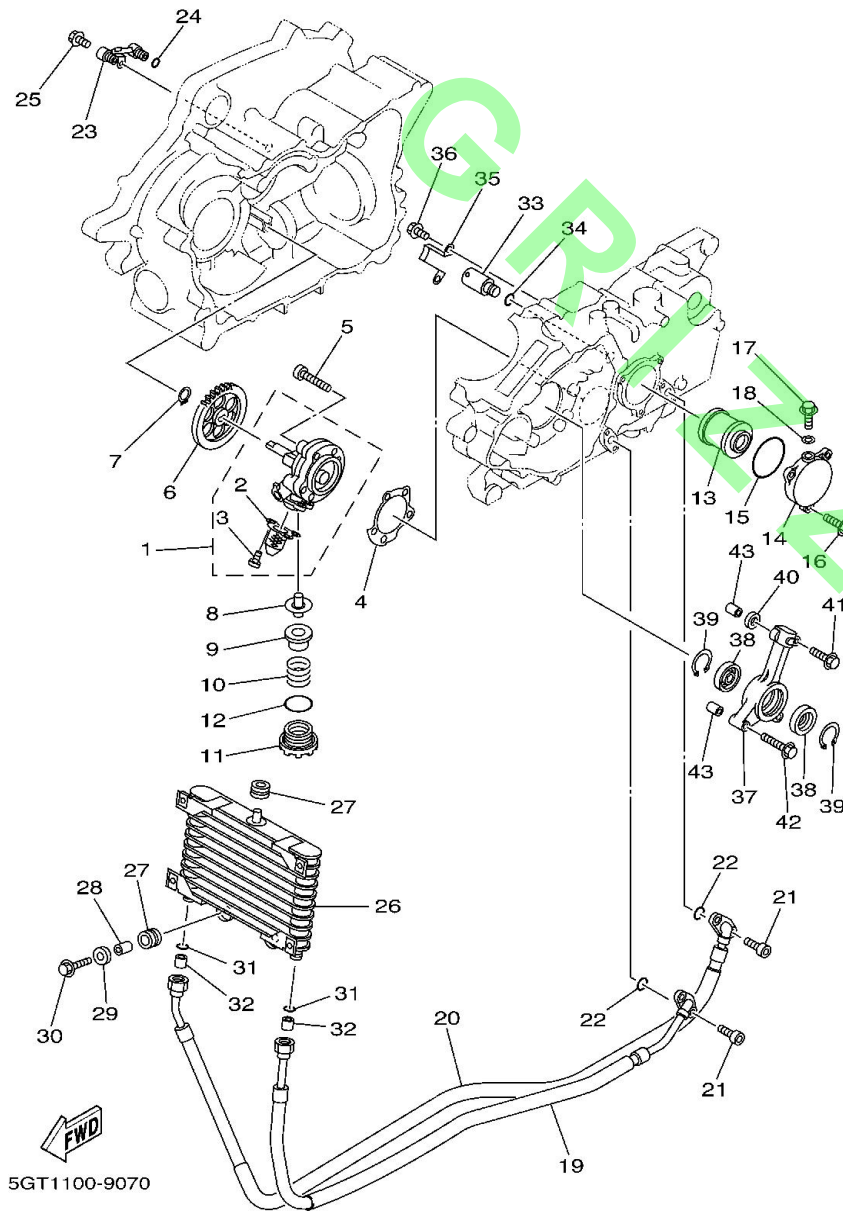
Ref. No.	Part No.	Description	Quantity	Remarks
1	4WV-17521-01	HOUSING, BEARING	1	
2	93306-20622	BEARING	1	
3	11H-15383-01	PLATE, BEARING COVER	2	
4	90149-08152	SCREW	4	
5	52G-17531-01	SHIM, PINION (0.1T)	1	UR
52G-17531-11	SHIM, PINION (0.15T)	1	UR	
52G-17531-21	SHIM, PINION (0.2T)	1	UR	
52G-17531-31	SHIM, PINION (0.3T)	1	UR	
52G-17531-41	SHIM, PINION (0.4T)	1	UR	
52G-17531-51	SHIM, PINION (0.5T)	1	UR	
6	5GT-Y1754-00	MIDDLE GEAR COMP.	1	
7	90179-22526	NUT	1	
8	95817-08040	BOLT, FLANGE	6	
9	5GT-17551-00	HOUSING, BEARING	1	
10	93306-37206	BEARING	1	
11	90179-60699	NUT	1	
12	93306-20715	BEARING	1	
13	93101-30084	OIL SEAL	1	
14	5GT-17556-00	YOKE, JOINT	1	
15	90201-12191	WASHER, PLATE	1	
16	90179-12325	NUT	1	
17	93210-78544	O-RING	1	
18	97027-08030	BOLT	4	
19	92907-08600	WASHER, PLATE	4	
20	4KB-17531-00	SHIM, PINION (0.10T)	2	UR
4KB-17531-10	SHIM, PINION (0.15T)	2	UR	
4KB-17531-20	SHIM, PINION (0.20T)	2	UR	

Fig. 16 MIDDLE DRIVE GEAR



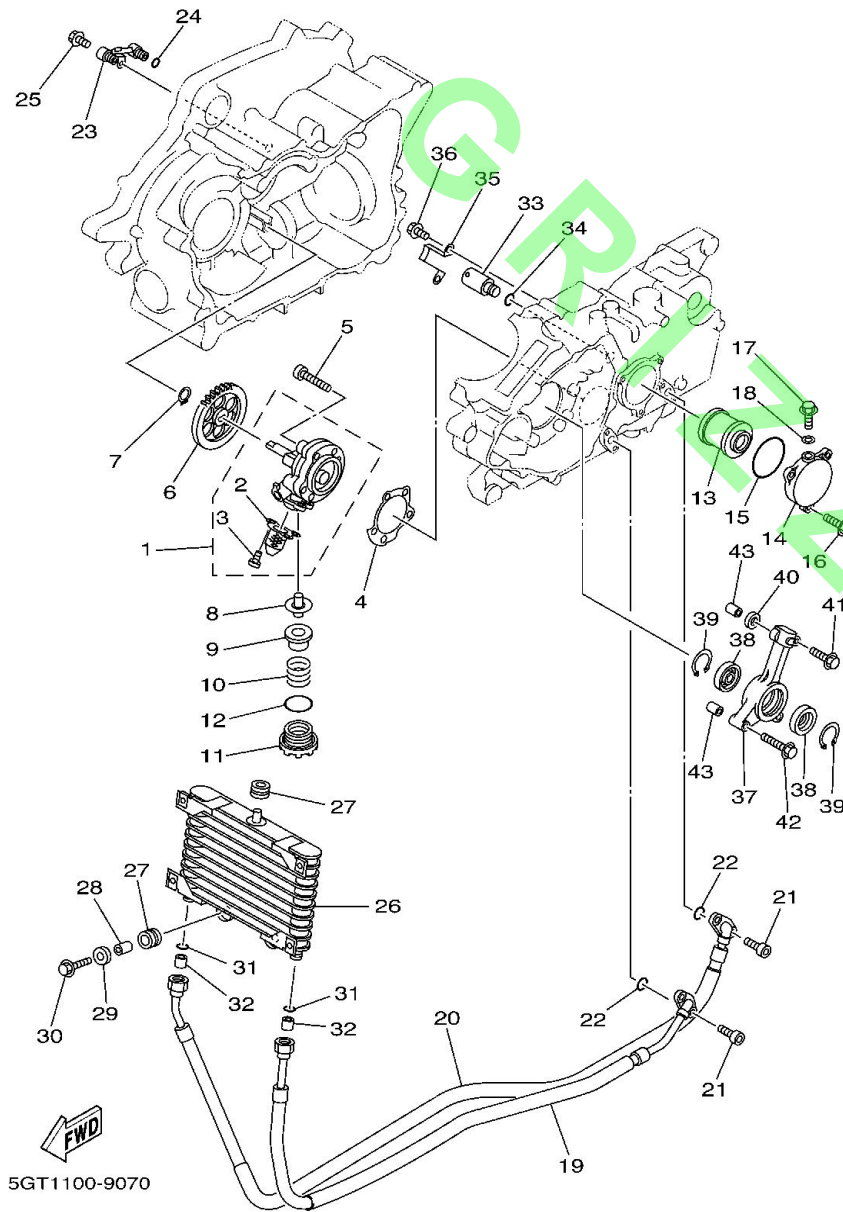
Ref. No.	Part No.	Description		Remarks
	4KB-17531-30	SHIM, PINION (0.30T)	2	UR
	4KB-17531-40	SHIM, PINION (0.40T)	2	UR
	4KB-17531-50	SHIM, PINION (0.50T)	2	UR
	4KB-17531-60	SHIM, PINION (0.60T)	2	UR
	21 90501-650L5	SPRING, COMPRESSION	1	
	22 4VR-17527-00	CAM, DRIVEN	1	
	23 4KB-46123-00	COUPLING, GEAR	1	
	24 93306-00612	BEARING	1	
	25 5GT-1755A-00	MIDDLE DRIVEN SHAFT ASSY	1	
	26 93306-20517	BEARING (B6205)	1	
	27 5GT-17576-00	YOKE, JOINT 2	1	
	28 90201-14633	WASHER, PLATE	1	
	29 90185-14070	NUT, SELF-LOCKING	1	
	30 90179-55660	NUT	1	
	31 93102-44454	OIL SEAL	1	

Fig. 07 OIL PUMP



Ref. No.	Part No.	Description		Remarks
	1 5GT-13300-00	OIL PUMP ASSY	1	
	2 4WV-13411-00	. STRAINER, OIL	1	
	3 98507-06008	. SCREW, PAN HEAD	3	
	4 4WV-13329-00	GASKET, PUMP COVER	1	
	5 91317-06050	BOLT	3	
	6 5GT-13325-00	GEAR, PUMP DRIVEN	1	
	7 99009-11400	CIRCLIP	1	
	8 4WV-13416-00	PIPE, OIL 1	1	
	9 51Y-13411-00	STRAINER, OIL	1	
	10 90501-18576	SPRING, COMPRESSION	1	
	11 4HC-15351-00	PLUG, DRAIN	1	
	12 93210-35520	O-RING	1	
	13 4X7-13440-01	ELEMENT ASSY, OIL CLEANER	1	
	14 583-13447-01	COVER, OIL ELEMENT	1	
	15 93210-64297	O-RING	1	
	16 95027-06020	BOLT, FLANGE	3	
	17 90149-05110	SCREW	1	
	18 90430-05126	GASKET	1	
	19 5GT-13464-00	HOSE, OIL 1	1	
	20 5GT-13465-00	HOSE, OIL 2	1	
	21 91317-06016	BOLT	4	
	22 93210-10197	O-RING	2	
	23 4WV-13161-00	PIPE, DELIVERY 1	1	
	24 93210-06422	O-RING	2	
	25 95027-06012	BOLT, FLANGE	1	
	26 3HN-13470-00	OIL COOLER ASSY	1	
	27 90480-15235	GROMMET	3	

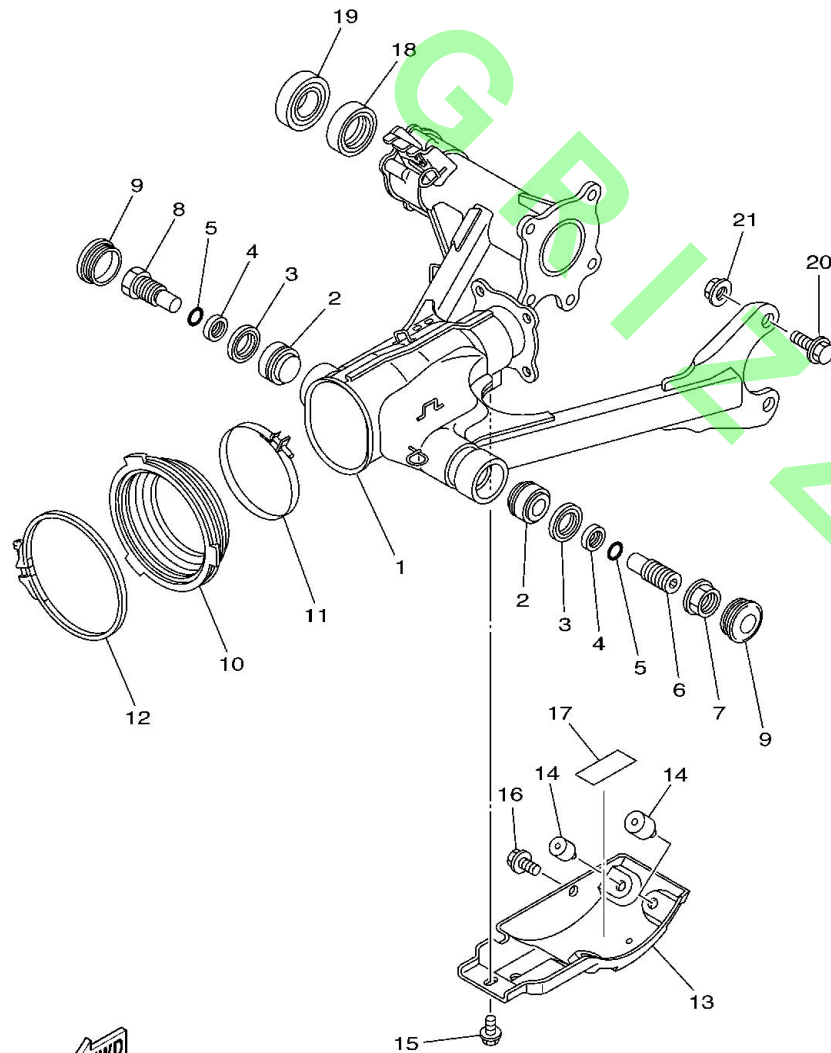
Fig. 07 OIL PUMP



Ref. No.	Part No.	Description		Remarks
	28 90387-0714B	COLLAR	2	
	29 90209-06174	WASHER	2	
	30 95807-06020	BOLT, FLANGE	2	
	31 93210-12152	O-RING	2	
	32 93612-16254	PIN, DOWEL	2	
<hr/>				
	33 25G-13490-00	RELIEF VALVE ASSY	1	
	34 93210-10096	O-RING	1	
	35 4WV-1319K-00	PLATE	1	
	36 95027-06012	BOLT, FLANGE	1	
	37 4WV-13446-00	CONNECTOR	1	
<hr/>				
	38 93101-30171	OIL SEAL	2	
	39 93450-42138	CIRCLIP	2	
	40 90430-08178	GASKET	1	
	41 95027-06025	BOLT, FLANGE	2	
	42 95027-06040	BOLT, FLANGE	1	
<hr/>				
	43 99530-08016	PIN, DOWEL	2	
<hr/>				
<hr/>				
<hr/>				



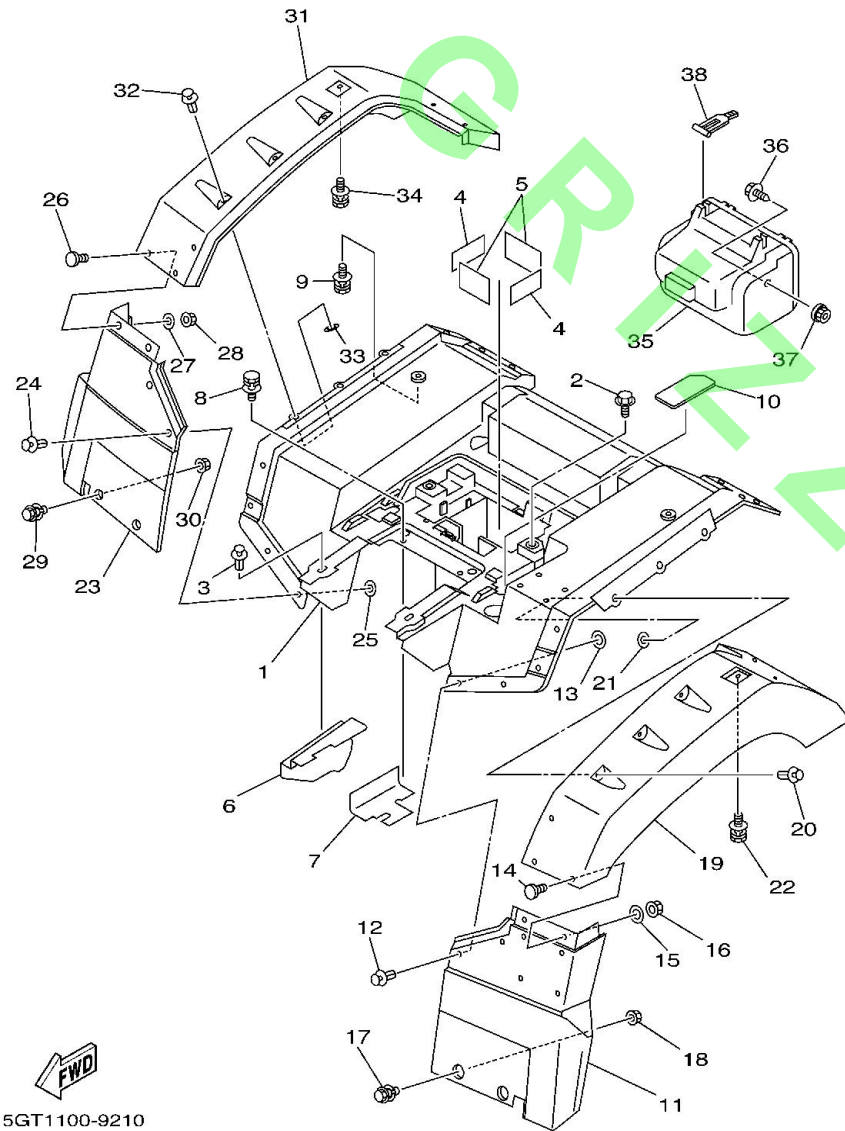
Fig. 22 REAR ARM



5GT1100-9220

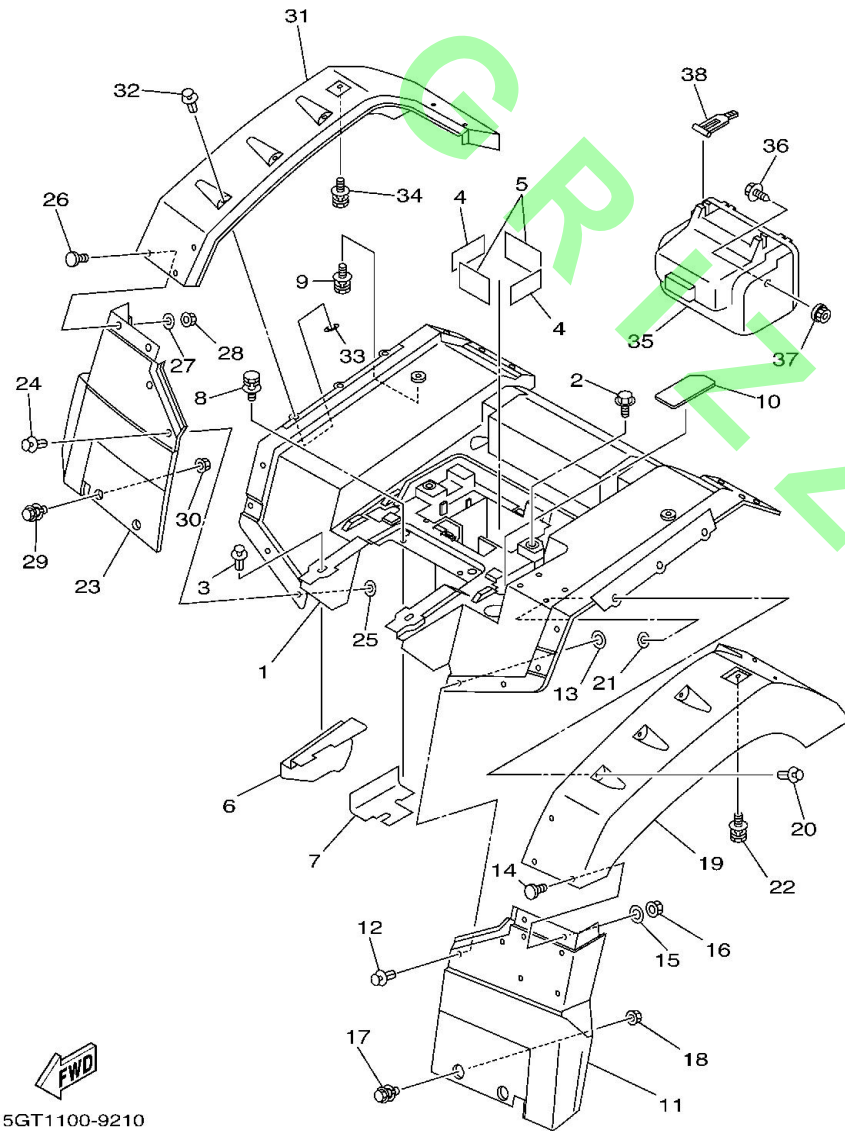
Ref. No.	Part No.	Description		Remarks
1	5GT-22110-00	REAR ARM COMP.	1	
2	93332-00080	BEARING	2	
3	93102-25017	OIL SEAL	2	
4	90387-1707V	COLLAR	2	
5	93210-17718	O-RING	2	
6	4WV-22141-00	SHAFT, PIVOT	1	
7	4WV-22143-00	NUT	1	
8	4KM-22141-00	SHAFT, PIVOT	1	
9	90338-34264	PLUG	2	
10	4KB-22189-00	BOOT, RUBBER	1	
11	90460-99289	CLAMP, HOSE	1	
12	4KB-22591-00	CLAMP, HOSE	1	
13	5GT-2219X-00	COVER	1	
14	4N0-27114-00	STOPPER, MAIN STAND	2	
15	95827-08012	BOLT, FLANGE	1	
16	95827-10016	BOLT, FLANGE	1	
17	1UJ-21638-00	DAMPER 1	1	
18	93101-35097	OIL SEAL	1	
19	93306-20531	BEARING	1	
20	95827-12025	BOLT, FLANGE	2	
21	95607-12200	NUT, SELF-LOCKING	2	

Fig. 21 REAR FENDER



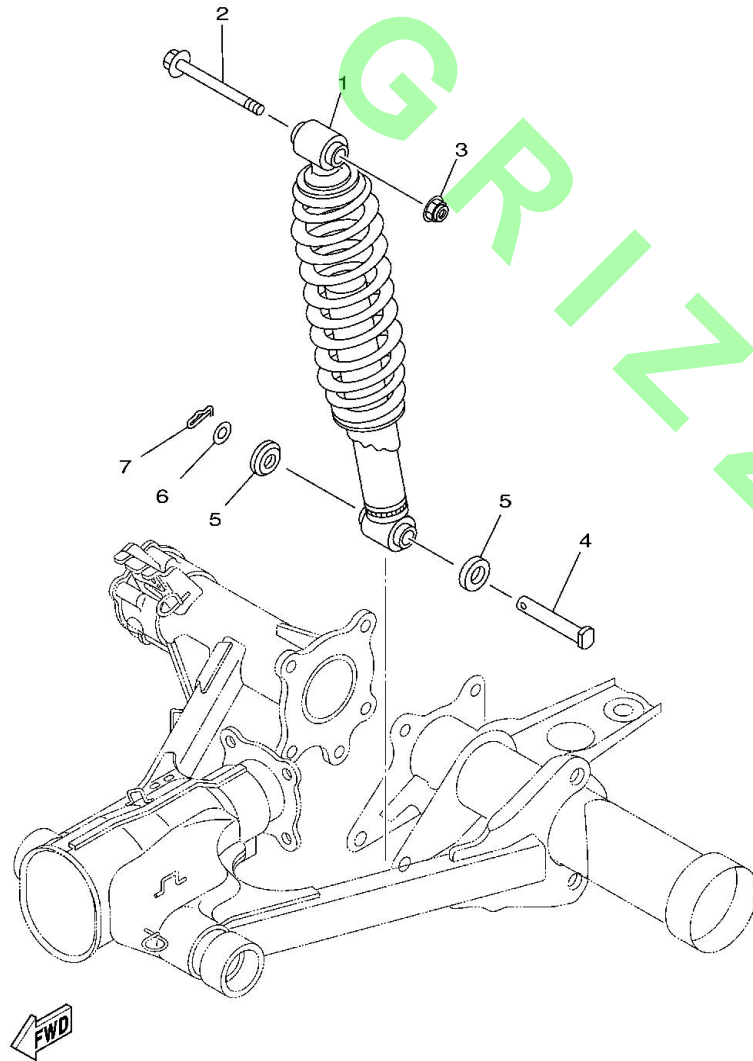
Ref. No.	Part No.	Description	Remarks
1	4WV-W216C-01	REAR FENDER COMP.2	1 UR RTR
	4WV-W216C-11	REAR FENDER COMP.2	1 UR PDG
	4WV-W216C-31	REAR FENDER COMP.2	1 UR DPBSE
2	90109-065G4	BOLT	2
3	90269-07076	RIVET	2
4	26H-24145-00	DAMPER, SIDE COVER	2
5	50W-82121-00	PAD, BATTERY	2
6	4WV-21639-00	DAMPER 2	1
7	4WV-21649-00	DAMPER	1
8	90119-06056	BOLT, WITH WASHER	2
9	90119-06205	BOLT, WITH WASHER	2
10	5GT-21669-10	SEAL	1 UR FOR PDG
11	5GT-W2168-00	FLAP ASSY 1	1
12	90269-07076	RIVET	2
13	90201-076J4	WASHER, PLATE	2
14	90154-05052	SCREW, BINDING	3
15	90201-05029	WASHER, PLATE	3
16	95707-05300	NUT, FLANGE	3
17	90119-06063	BOLT, WITH WASHER	2
18	95707-06500	NUT, FLANGE	2
19	4WV-2162H-00	FLAP 3	1
20	90269-07076	RIVET	7
21	90201-076J4	WASHER, PLATE	7
22	90119-06205	BOLT, WITH WASHER	1
23	5GT-W2169-00	FLAP ASSY 2	1
24	90269-07076	RIVET	2
25	90201-076J4	WASHER, PLATE	2

Fig. 21 REAR FENDER



Ref. No.	Part No.	Description		Remarks
	26 90154-05052	SCREW, BINDING	3	
	27 90201-05029	WASHER, PLATE	3	
	28 95707-05300	NUT, FLANGE	3	
	29 90119-06063	BOLT, WITH WASHER	2	
	30 95707-06500	NUT, FLANGE	2	
	31 4WV-2162J-00	FLAP 4	1	
	32 90269-07076	RIVET	7	
	33 90201-076J4	WASHER, PLATE	7	
	34 90119-06205	BOLT, WITH WASHER	1	
	35 5GT-2160A-00	BOX COMP.	1	
	36 90119-06060	BOLT, WITH WASHER	2	
	37 95607-06200	NUT, SELF U-FLANGE	2	
	38 59V-21646-00	BAND	2	

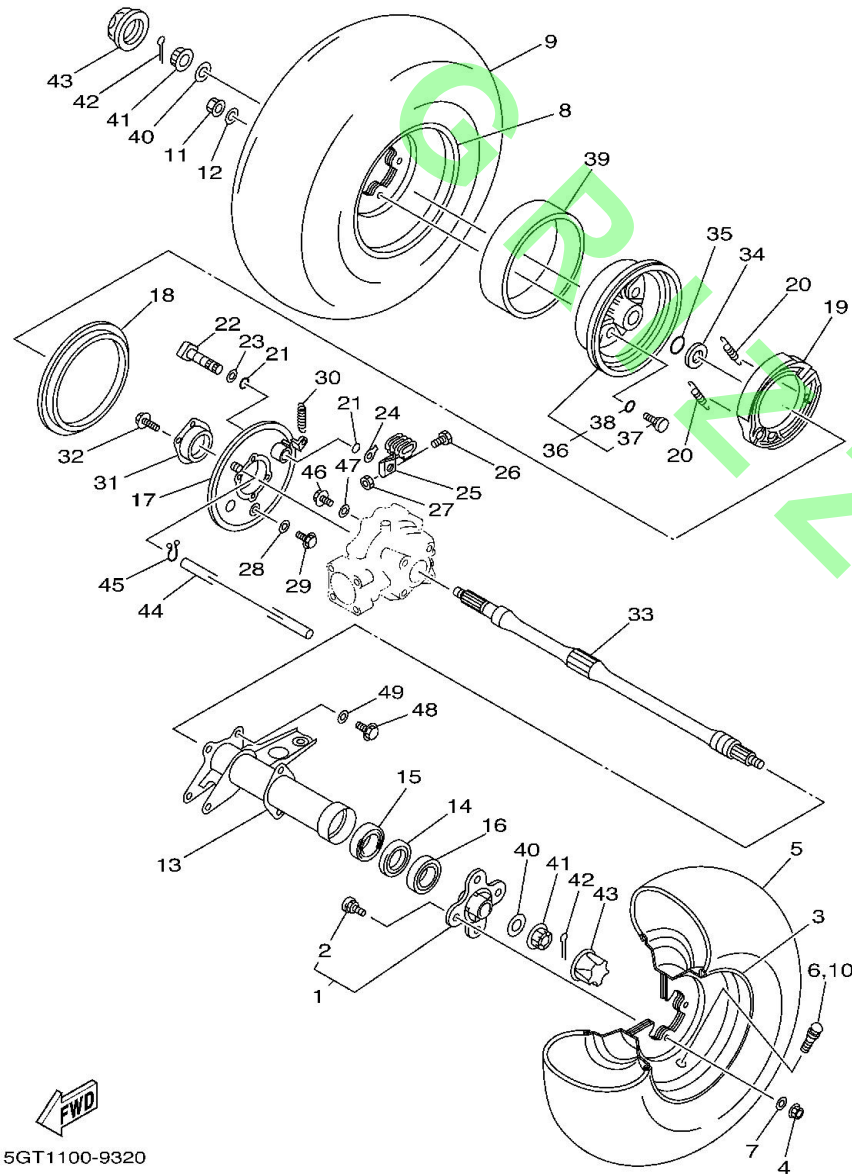
Fig. 25 REAR SUSPENSION



5GT1100-9250

Ref. No.	Part No.	Description	Remarks
1	5GT-22210-00	SHOCK ABSORBER ASSY, REAR	1 UR RTR,PDG
	5GT-22210-10	SHOCK ABSORBER ASSY, REAR	1 UR DPBSE
2	90105-12425	BOLT, FLANGE	1
3	90185-12072	NUT, SELF-LOCKING	1
4	90240-12092	PIN, CLEVIS	1
<hr/>			
5	1W1-22128-00	COVER, THRUST 1	2
6	90201-127J6	WASHER, PLATE	1
7	91401-30025	PIN, SPLIT	1
<hr/>			
<hr/>			
<hr/>			
<hr/>			
<hr/>			
<hr/>			
<hr/>			
<hr/>			

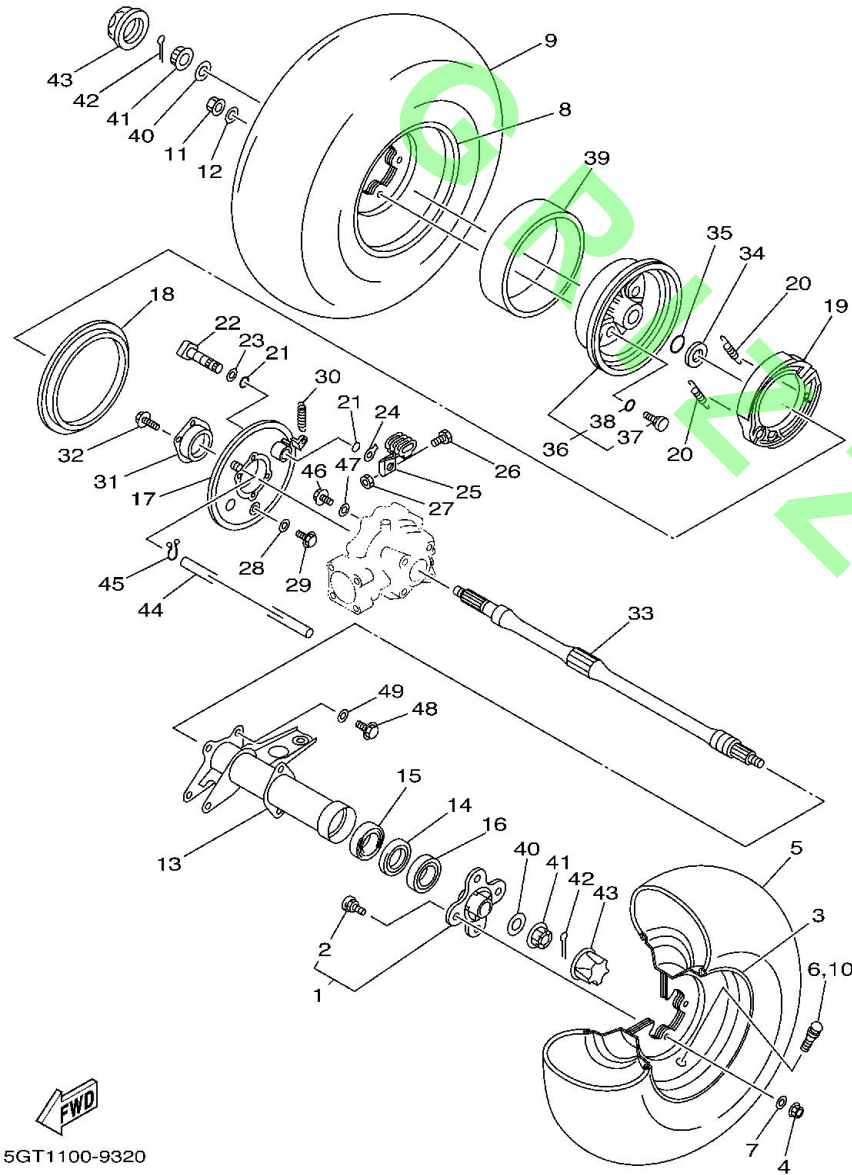
Fig. 32 REAR WHEEL



5GT1100-9320

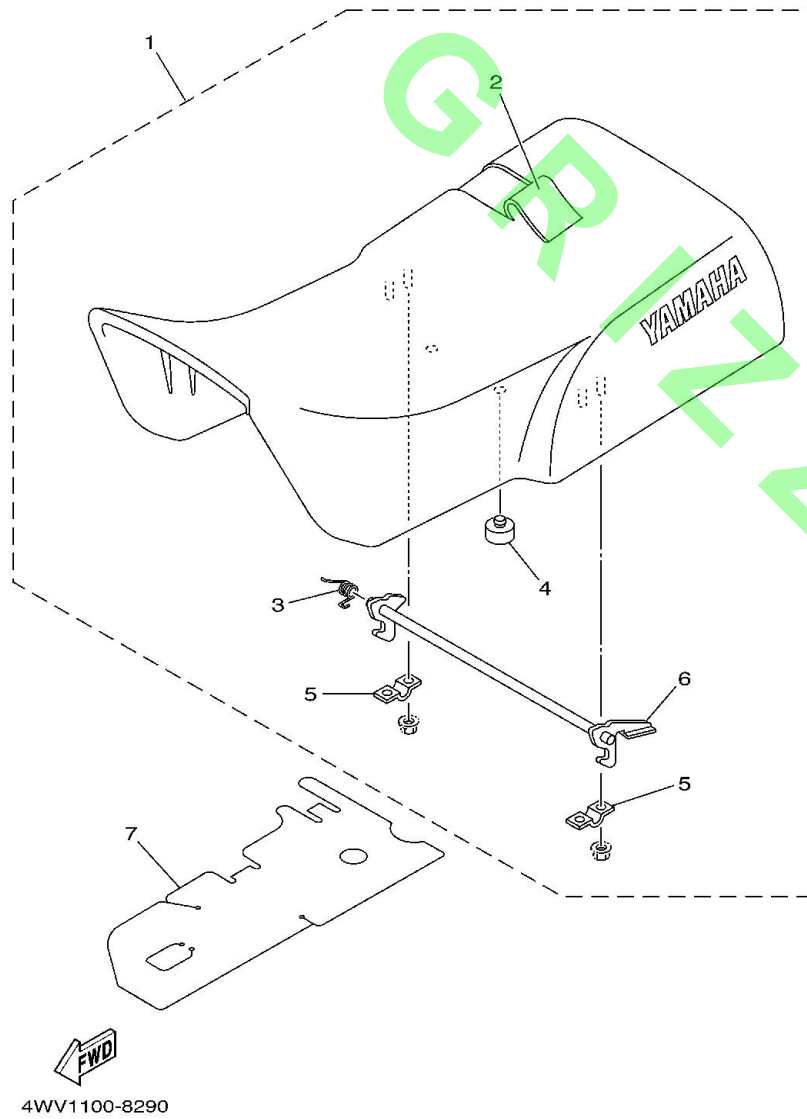
Ref. No.	Part No.	Description	Quantity	Remarks
	1 5GT-25383-00	COLLAR, WHEEL	1	
	2 90114-10011	. BOLT, SERRATION	4	
	3 5GT-25390-00	REAR WHEEL COMP.	1	UR RTR,PDG
	5GT-25390-10	REAR WHEEL COMP.	1	UR DPBSE
	4 95707-10500	NUT, FLANGE	4	
<hr/>				
	5 94110-1215G	TIRE (AT20 X 10 - 12)	1	DUNLOP-KT405G
	6 93900-00022	VALVE, RIM (TR413)	1	TAIHEIYO
	7 92907-10200	WASHER, PLAIN	4	
	8 5GT-25390-00	REAR WHEEL COMP.	1	UR RTR,PDG
	5GT-25390-10	REAR WHEEL COMP.	1	UR DPBSE
<hr/>				
	9 94110-1215G	TIRE (AT20 X 10 - 12)	1	DUNLOP-KT405G
	10 93900-00022	VALVE, RIM (TR413)	1	TAIHEIYO
	11 95707-10500	NUT, FLANGE	4	
	12 92907-10200	WASHER, PLAIN	4	
	13 5GT-46540-00	REAR AXLE HOUSING COMP.	1	
<hr/>				
	14 93306-00805	BEARING	1	
	15 93106-47040	OIL SEAL	1	
	16 4SH-25367-01	COVER, HUB DUST	1	
	17 4SH-25321-00	PLATE, BRAKE SHOE	1	
	18 3GH-25129-10	SEAL, PLATE DUST	1	
<hr/>				
	19 4WV-W2536-01	BRAKE SHOE SET	1	
	20 90507-20002	SPRING, TENSION	2	
	21 93210-14104	O-RING	2	
	22 4WV-25351-00	CAMSHAFT	1	
	23 148-25353-00	SHIM, CAMSHAFT	1	
<hr/>				
	24 3Y6-2533A-01	PLATE, INDICATOR	1	
	25 4WV-25355-00	LEVER, CAMSHAFT	1	

Fig. 32 REAR WHEEL



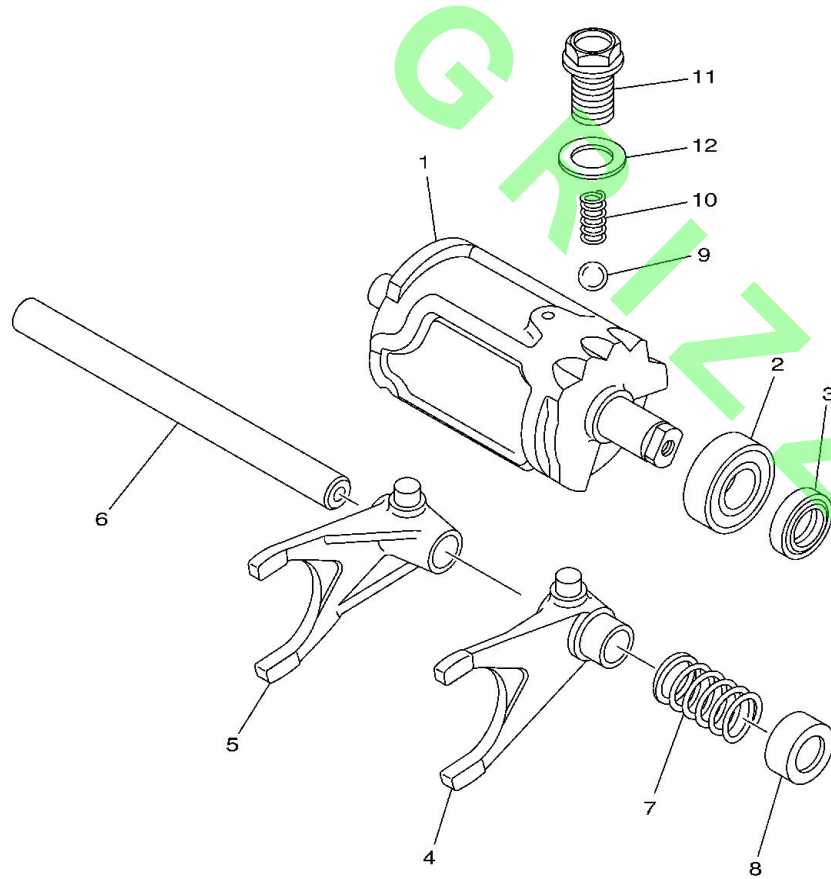
Ref. No.	Part No.	Description		Remarks
	26 90101-06278	BOLT	1	
	27 95307-06600	NUT	1	
	28 90201-10118	WASHER, PLATE	1	
	29 95027-10016	BOLT, FLANGE	1	
	30 90506-16482	SPRING, TENSION	1	
	31 4GB-46513-00	RETAINER	1	
	32 95817-08040	BOLT, FLANGE	4	
	33 5GT-25381-00	AXLE, WHEEL	1	UR
	5GT-25381-10	AXLE, WHEEL	1	UR
	34 90387-284T0	COLLAR	1	
	35 93210-26606	O-RING	1	
	36 5GT-2531E-00	DRUM, BRAKE	1	
	37 90114-10003	. BOLT, SERRATION	4	
	38 93210-12131	. O-RING	4	
	39 5GT-25336-00	RING 2	1	
	40 90201-162L6	WASHER, PLATE	2	
	41 90171-16048	NUT, CASTLE	2	
	42 91401-30030	PIN, COTTER	2	
	43 5GT-2512A-00	CAP, WHEEL	2	
	44 90445-080K8	HOSE (L1200)	1	
	45 90467-08075	CLIP	1	
	46 90105-10751	BOLT, FLANGE	4	
	47 90201-101J1	WASHER, PLATE	4	
	48 90105-10751	BOLT, FLANGE	4	
	49 90201-101J1	WASHER, PLATE	4	

Fig. 29 SEAT



Ref. No.	Part No.	Description	Remarks
1	4WV-24710-21	SINGLE SEAT ASSY	1 UR DPBSE
	4WV-24710-40	SINGLE SEAT ASSY	1 UR RTR, PDG
2	4WV-24731-20	. COVER, SEAT	1 UR DPBSE
	4WV-24731-40	. COVER, SEAT	1 UR RTR,PDG
3	90508-23567	. SPRING, TORSION	1
4	371-27114-00	. STOPPER, MAIN STAND	2
5	59V-24775-00	. BRACKET, SEAT LEVER	2
6	4WV-24776-00	. LEVER, SEAT	1
7	4WV-2476U-00	PROTECTOR,1	1

Fig. 17 SHIFT CAM & FORK



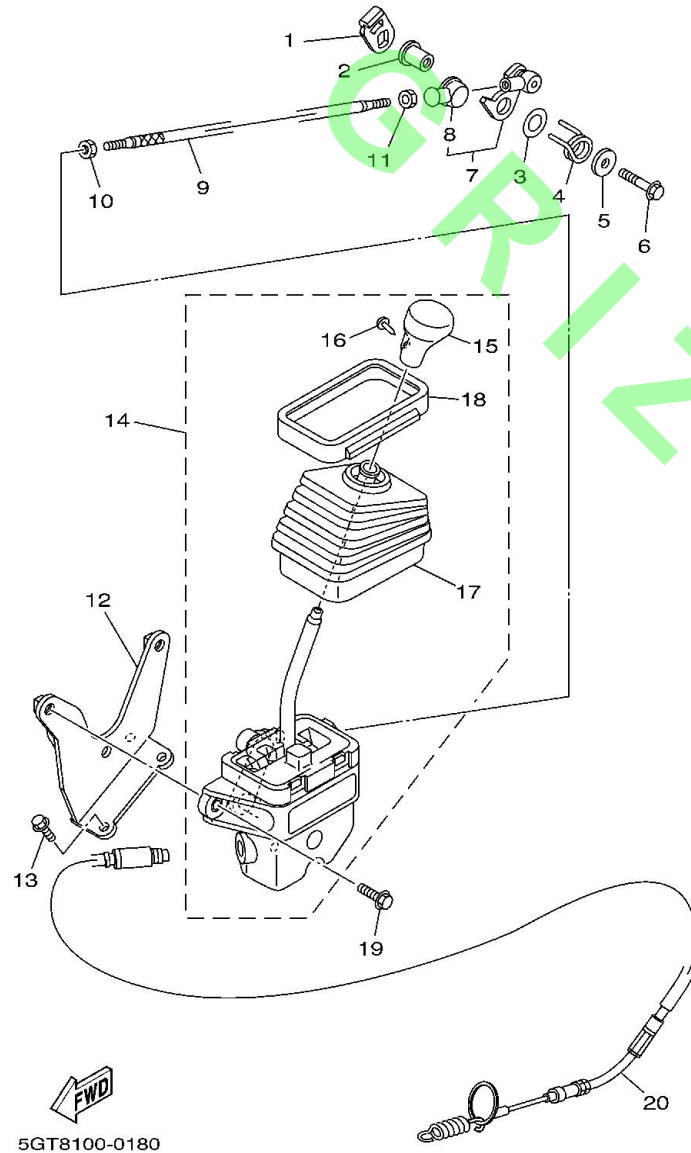
Ref. No.	Part No.	Description		Remarks
1	4WV-18540-00	SHIFT CAM ASSY	1	
2	93306-00208	BEARING	1	
3	93102-15212	OIL SEAL	1	
4	5GT-18511-00	FORK, SHIFT 1	1	
5	5GT-18512-00	FORK, SHIFT 2	1	
6	5GT-18531-00	BAR, SHIFT FORK GUIDE 1	1	
7	90501-141L1	SPRING, COMPRESSION	1	
8	4WV-18323-00	CAP, SPRING	1	
9	93503-08007	BALL	1	
10	90501-10353	SPRING, COMPRESSION	1	
11	90105-14367	BOLT, FLANGE	1	
12	90430-14194	GASKET	1	



4WV1100-8170

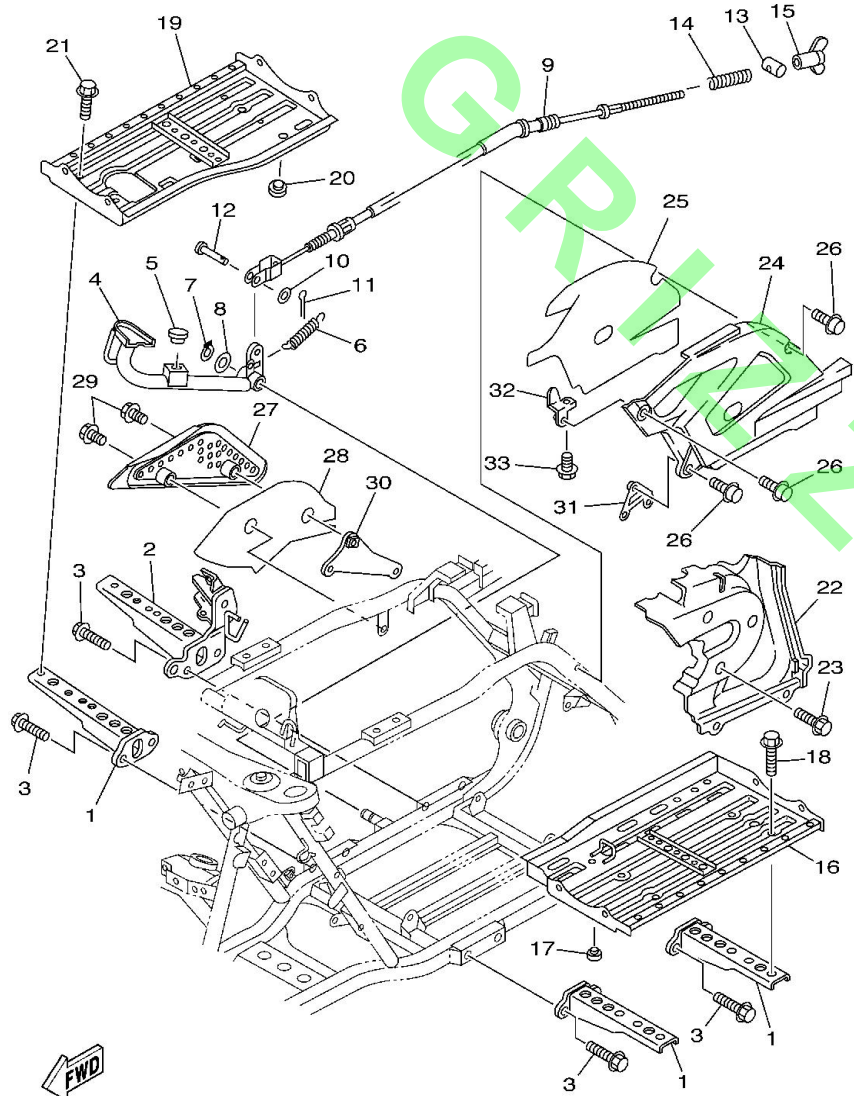


Fig. 18 SHIFT SHAFT



Ref. No.	Part No.	Description		Remarks
1	4SH-18198-00	LEVER	1	
2	90387-0613B	COLLAR	1	
3	90201-132G5	WASHER, PLATE	1	
4	90508-35764	SPRING, TORSION	1	
5	90201-06008	WASHER, PLATE	1	
6	95817-06035	BOLT, FLANGE	1	
7	4WV-18191-00	LEVER	1	
8	2H9-18154-00	. COVER, DUST	1	
9	4WV-18115-00	ROD, SHIFT	1	
10	90170-06289	NUT	1	
11	95307-06700	NUT	1	
12	5GT-18431-00	BRACKET, SHIFTER	1	
13	95817-06016	BOLT, FLANGE	3	
14	4WV-18300-02	SHIFTER ASSY	1	
15	4WV-18174-00	. KNOB, SHIFT LEVER	1	
16	90269-05055	. RIVET	1	
17	4WV-18131-00	. BOOT, SEALING	1	
18	4WV-18617-01	. STOPPER, RUBBER	1	
19	95807-08020	BOLT, FLANGE	3	
20	5GT-2637F-00	CABLE, CONTROL 2	1	

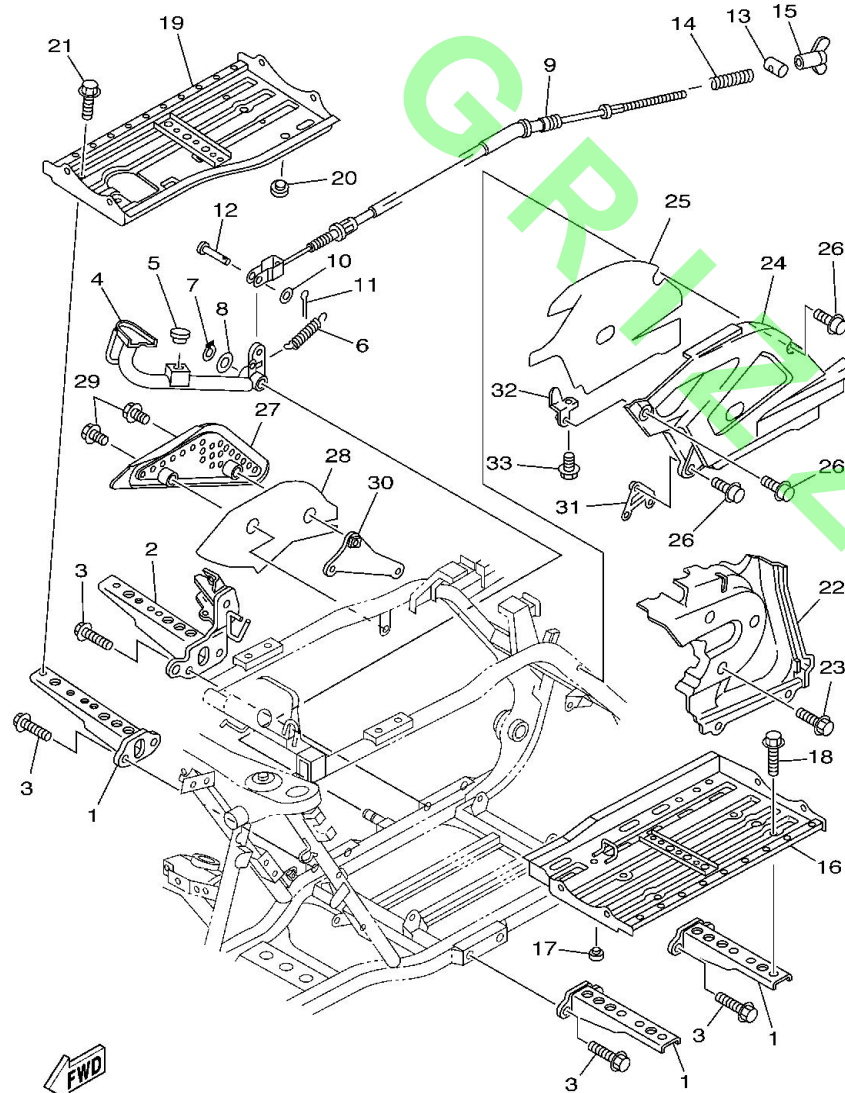
Fig. 35 STAND & FOOTREST



5GT1100-9350

Ref. No.	Part No.	Description		Remarks
	1 5GT-27411-00	FOOTREST 1	3	
	2 5GT-27421-00	FOOTREST 2	1	
	3 95817-10020	BOLT, FLANGE	8	
	4 5GT-27211-00	PEDAL, BRAKE	1	
	5 128-27114-00	STOPPER, MAIN STAND	1	
<hr/>				
	6 90506-18527	SPRING, TENSION	1	
	7 93430-12008	CIRCLIP	1	
	8 90201-15797	WASHER, PLATE	1	
	9 5GT-26351-00	CABLE, BRAKE	1	
	10 92907-06200	WASHER	1	
<hr/>				
	11 91401-20012	PIN, COTTER	1	
	12 90240-06076	PIN, CLEVIS	1	
	13 90249-12008	PIN	1	
	14 90501-10782	SPRING, COMPRESSION	1	
	15 20E-26343-00	NUT, ADJUSTING	1	
<hr/>				
	16 5GT-27481-00	BOARD, FOOTREST	1	
	17 128-27114-00	STOPPER, MAIN STAND	1	
	18 90119-06108	BOLT, WITH WASHER	4	
	19 5GT-27488-00	BOARD, FOOTREST 2	1	
	20 128-27114-00	STOPPER, MAIN STAND	1	
<hr/>				
	21 90119-06108	BOLT, WITH WASHER	4	
	22 4WV-27453-00	COVER 1	1	
	23 95807-06014	BOLT, FLANGE	3	
	24 4WV-27486-00	COVER 1	1	
	25 4WV-27496-00	MOLE 1	1	
<hr/>				
	26 90159-06033	SCREW, WITH WASHER	3	
	27 4WV-27463-10	COVER 2	1	

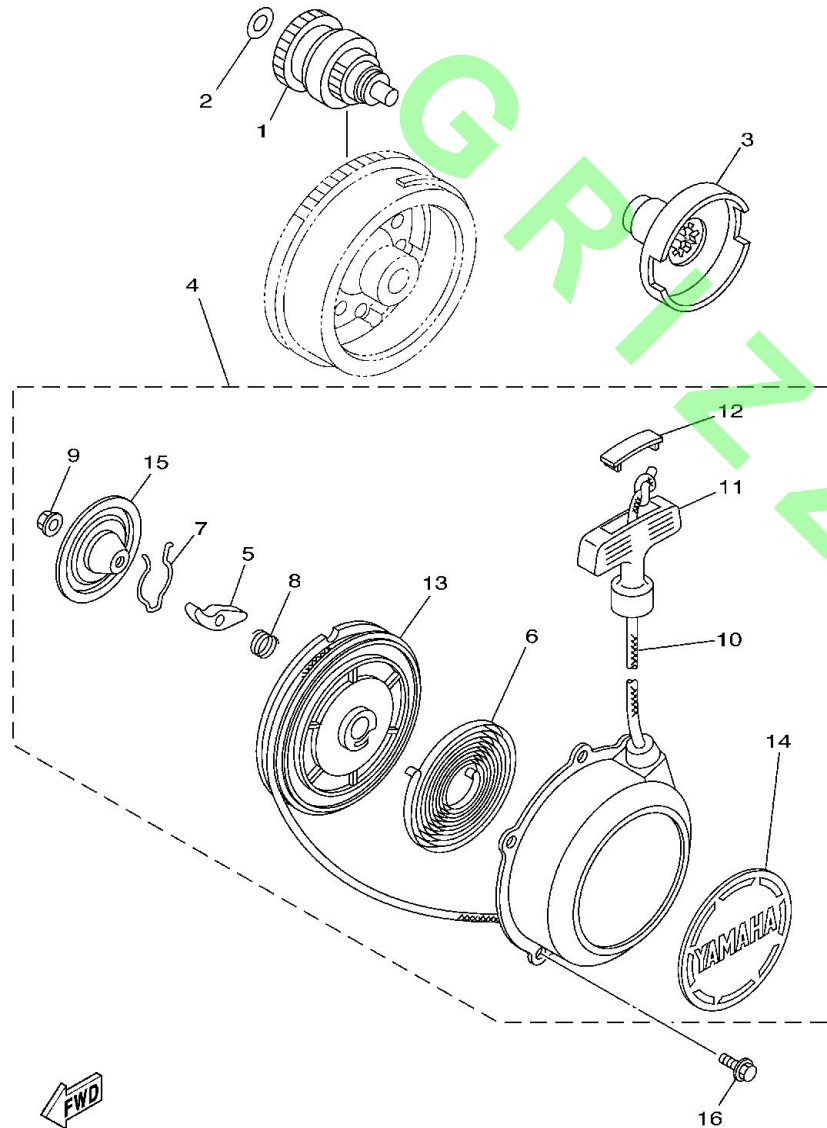
Fig. 35 STAND & FOOTREST



5GT1100-9350

Ref. No.	Part No.	Description		Remarks
	28 4WV-27497-00	MOLE 2	1	
	29 90119-06018	BOLT, WITH WASHER	2	
	30 4WV-15771-00	STAY 1	1	
	31 4WV-15773-00	STAY 3	1	
	32 5GT-27412-00	BRACKET, FOOTREST 1	1	
	33 95807-06016	BOLT, FLANGE	1	

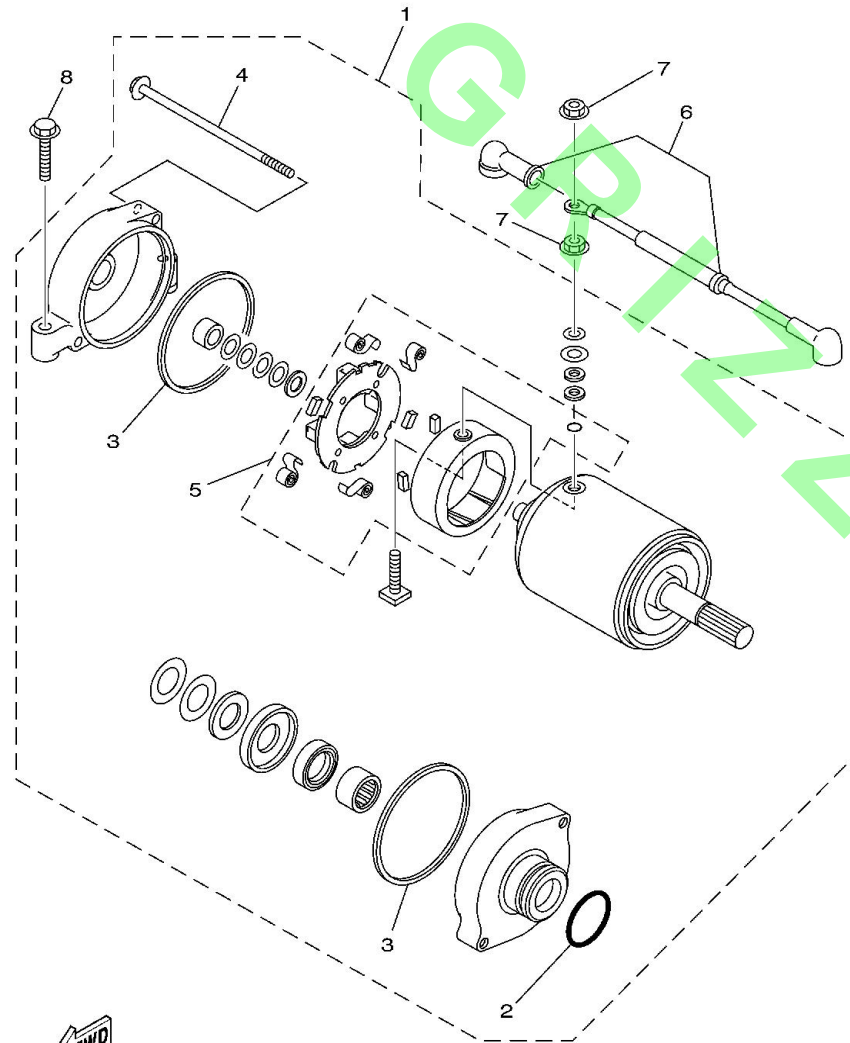
Fig. 13 STARTER



5GTF100-1130

Ref. No.	Part No.	Description		Remarks
	1 4WV-15650-02	IDLE GEAR ASSY	1	
	2 90201-125L6	WASHER, PLATE	1	
	3 1UY-15723-00	PULLEY, STARTER	1	
	4 5GT-15710-00	STARTER ASSY	1	
	5 21V-15741-00	. PAWL, DRIVE	1	
	6 21V-15713-00	. SPRING, STARTER	1	
	7 21V-15715-00	. SPRING, FRICTION	1	
	8 21V-15767-00	. SPRING	1	
	9 95702-06500	. NUT, FLANGE	1	
	10 21V-15751-00	. WIRE, STARTER	1	
	11 3X3-15755-00	. HANDLE, STARTER	1	
	12 21V-15779-00	. COVER	1	
	13 24W-15714-00	. DRUM, SHEAVE	1	
	14 5GH-15443-00	. EMBLEM	1	
	15 1UY-15716-00	PLATE, DRIVE	1	
	16 90105-06553	BOLT, FLANGE	4	

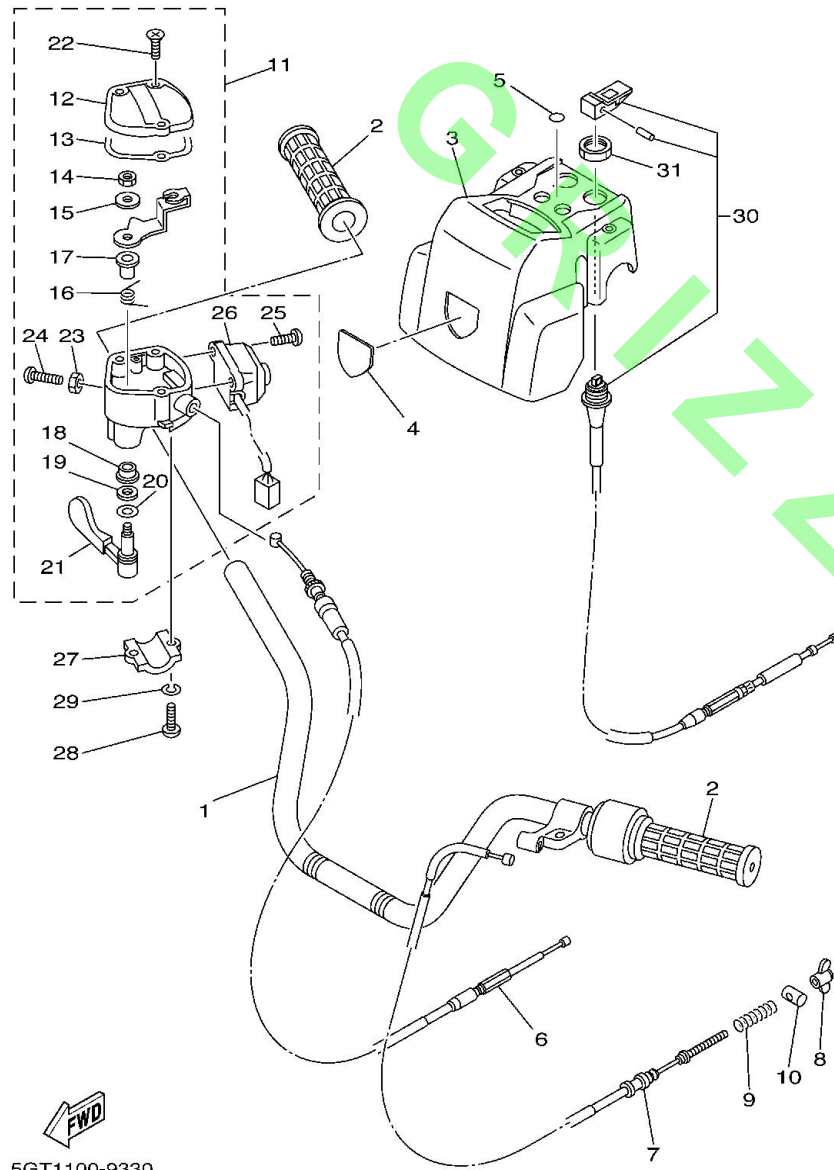
Fig. 38 STARTING MOTOR



5GT8100-0380

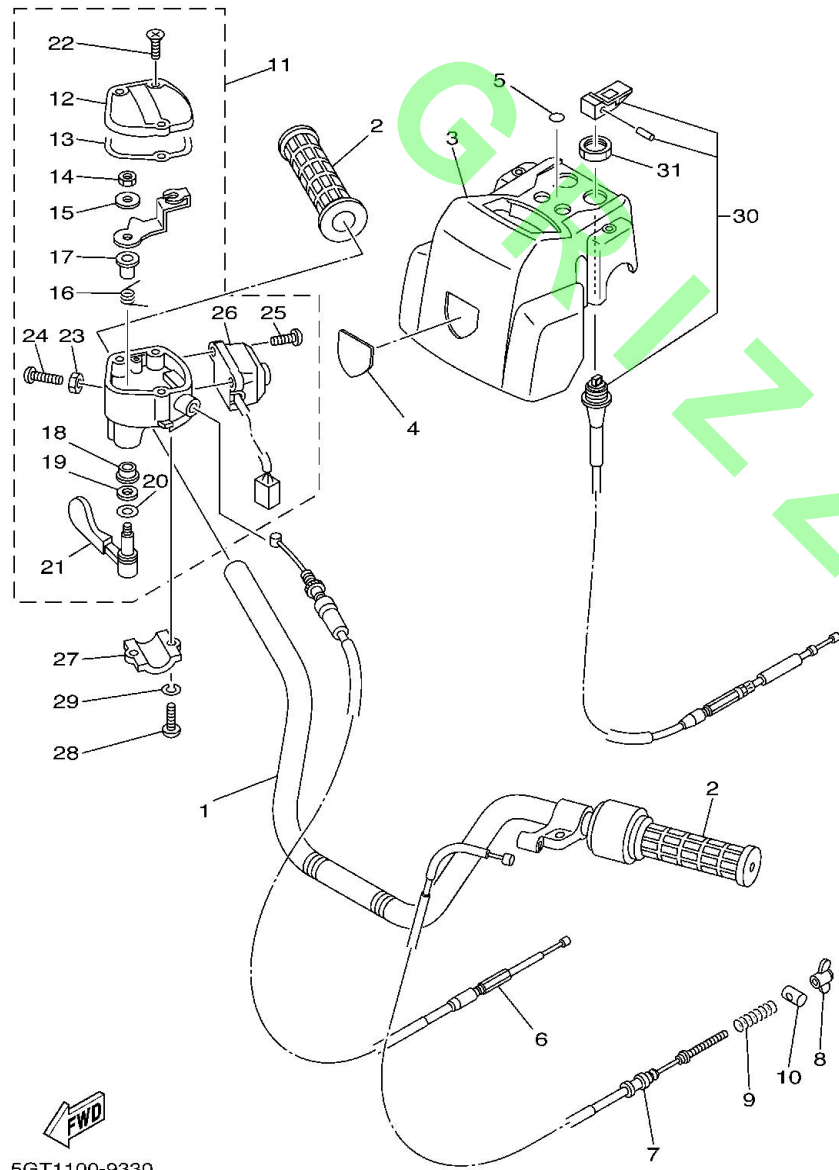
Ref. No.	Part No.	Description		Remarks
1	4WV-81890-00	MOTOR ASSY	1	
2	1FK-81847-00	. O-RING	1	
3	11H-81844-00	. GASKET	2	
4	3AJ-81826-00	. BOLT	2	
5	3AJ-81801-00	. BRUSH SET	1	
6	4WV-81815-00	CORD, STARTER MOTOR	1	
7	4XV-8182A-00	NUT	1	
8	95027-06030	BOLT, FLANGE	2	

Fig. 33 STEERING HANDLE & CABLE



Ref. No.	Part No.	Description		Remarks
	1 2HR-26111-00	HANDLEBAR	1	
	2 3GB-26241-00	GRIP	2	
	3 4WV-26124-01	PROTECTOR, HANDLEBAR	1	
	4 5FE-26232-00	EMBLEM 3D	1	
	5 5GT-2836B-00	TUNING FORK MARK	1	
	6 4WV-26311-00	CABLE, THROTTLE 1	1	
	7 4WV-26341-00	CABLE, BRAKE	1	
	8 20E-26343-00	NUT, ADJUSTING	1	
	9 90501-10782	SPRING, COMPRESSION	1	
	10 90249-12008	PIN	1	
	11 4WV-26250-00	THROTTLE LEVER ASSY	1	
	12 4KB-2628F-00	. CAP, GEAR	1	
	13 4KB-2628G-00	. GASKET	1	
	14 95607-05100	. NUT, U	1	
	15 1NV-26398-00	. WASHER	1	
	16 1NV-26304-00	. SPRING	1	
	17 1NV-26259-01	. COLLAR	1	
	18 1NV-2625K-00	. COLLAR	1	
	19 93104-09025	. OIL SEAL	1	
	20 1NV-26129-00	. WASHER	1	
	21 1NV-2625G-01	. LEVER, THROTTLE	1	
	22 90149-04278	. SCREW	3	
	23 95307-05700	. NUT	1	
	24 98507-05020	. SCREW, PAN HEAD	1	
	25 97607-04210	. SCREW, WITH WASHER	2	
	26 4WV-83976-00	. SWITCH, HANDLE 1	1	
	27 4V4-82913-00	HOLDER, LEVER LOWER 1	1	

Fig. 33 STEERING HANDLE & CABLE



Ref. No.	Part No.	Description		Remarks
	28 98507-05020	SCREW, PAN HEAD	2	
	29 92907-05600	WASHER, PLATE	2	
	30 4WV-26331-01	CABLE, STARTER 1	1	
	31 8G8-26333-00	NUT	1	
<hr/>				
<hr/>				
<hr/>				
<hr/>				
<hr/>				
<hr/>				
<hr/>				
<hr/>				
<hr/>				
<hr/>				

Fig. 26 STEERING

Ref. No.	Part No.	Description		Remarks
1	5GT-23813-01	COLUMN, STEERING 2	1	
2	4WV-23816-00	ARM, PITMAN	1	
3	2HR-23442-00	HOLDER, HANDLE LOWER	2	
4	8K1-23814-00	HOLDER, HANDLE	2	
5	95827-08050	BOLT, FLANGE	4	
<hr/>				
6	90336-28053	PLUG, TAPER	1	
7	1UY-23812-00	PLANE BEARING, STEERING	2	
8	93112-31011	OIL SEAL	2	
9	4KB-23868-01	BRACKET, STEERING LOWER	1	
10	97027-08060	BOLT	2	
<hr/>				
11	1UY-23894-01	WASHER, LOCK 1	1	
12	90387-090R0	COLLAR	2	
13	90201-14222	WASHER, PLATE	1	
14	90185-14081	NUT, SELF-LOCKING	1	
15	90468-16191	CLIP	1	
<hr/>				
16	4WV-23831-00	ROD, TIE	2	
17	1UY-23841-01	JOINT, UNIVERSAL 1	2	
18	1UY-23845-01	JOINT, UNIVERSAL 2	2	
19	95307-10700	NUT	2	
20	90170-10186	NUT	2	(L.H. THREAD)
<hr/>				
21	90171-10046	NUT, CASTLE	4	
22	92990-10600	WASHER, PLATE	2	
23	91401-20020	PIN, COTTER	4	
<hr/>				

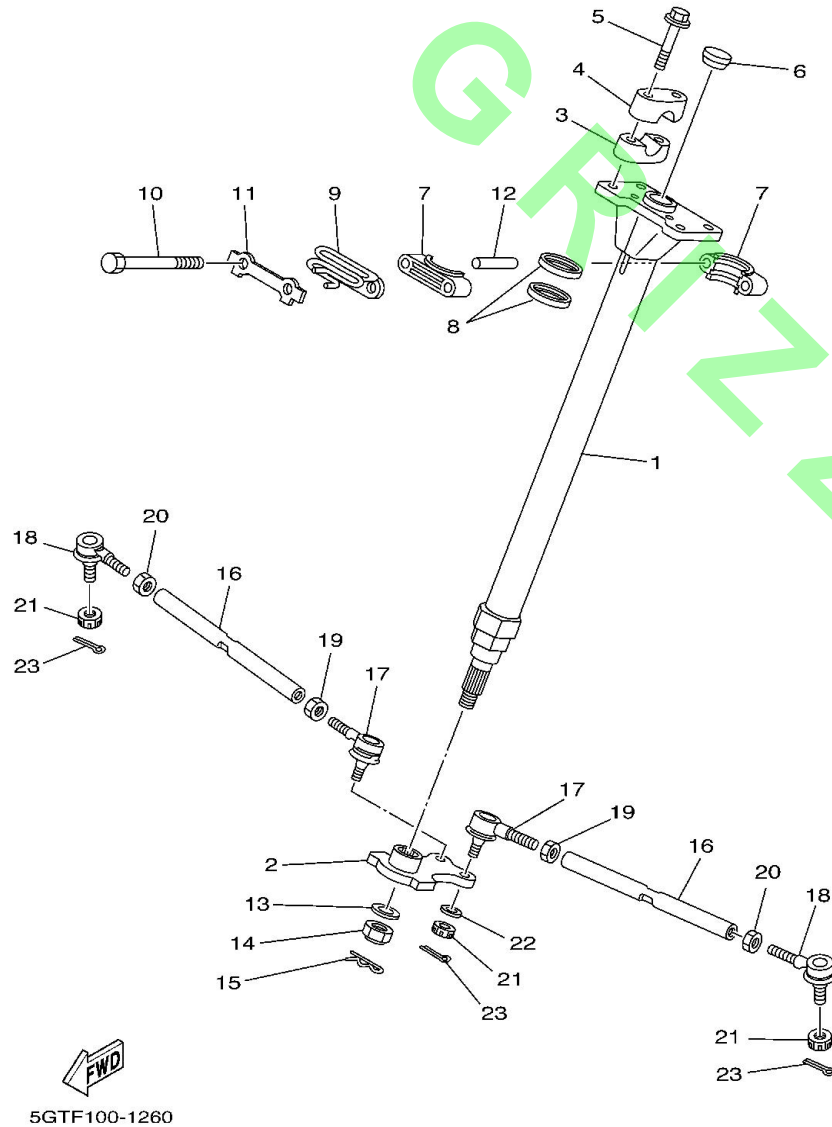
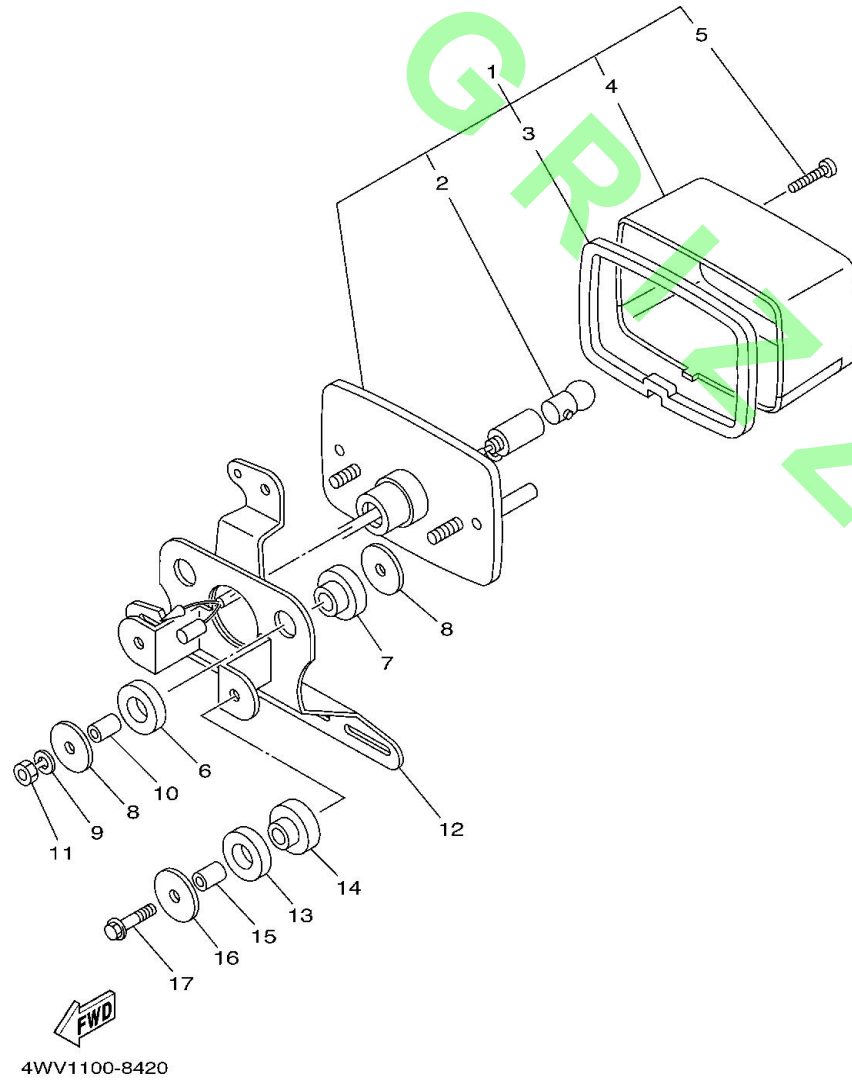


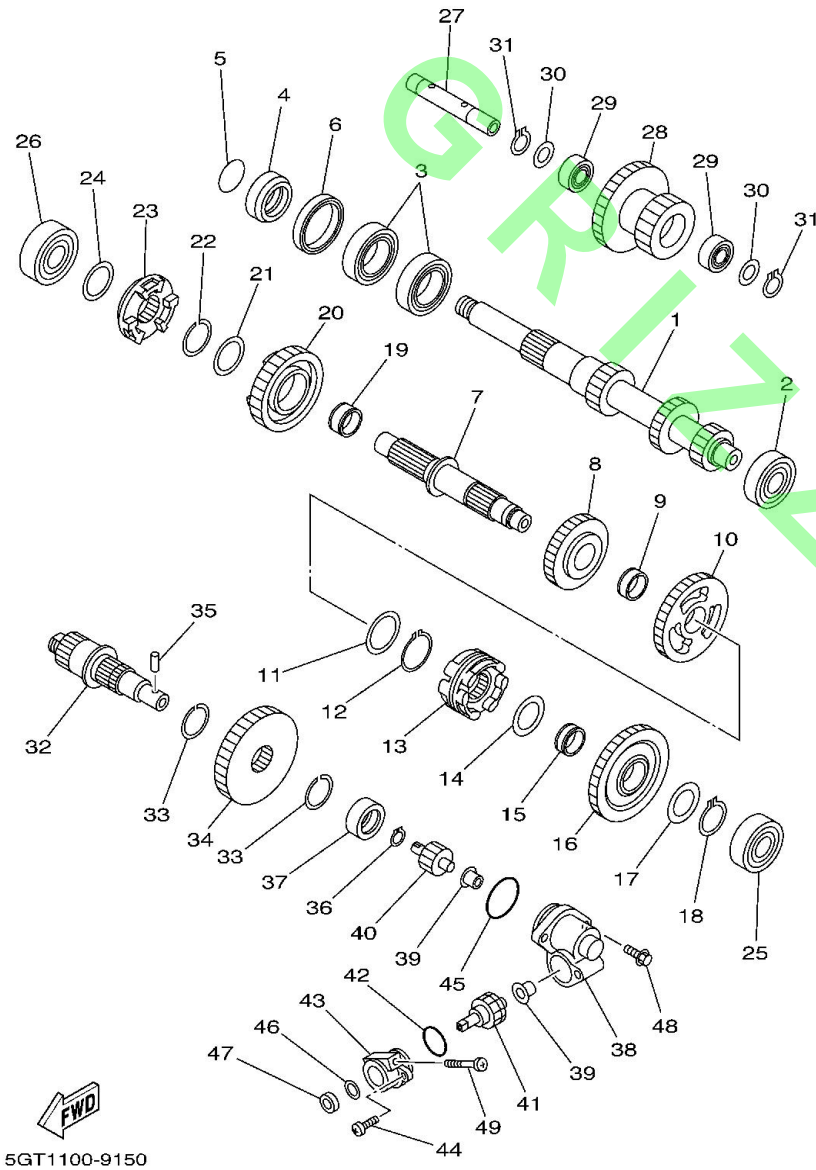


Fig. 41 TAILLIGHT



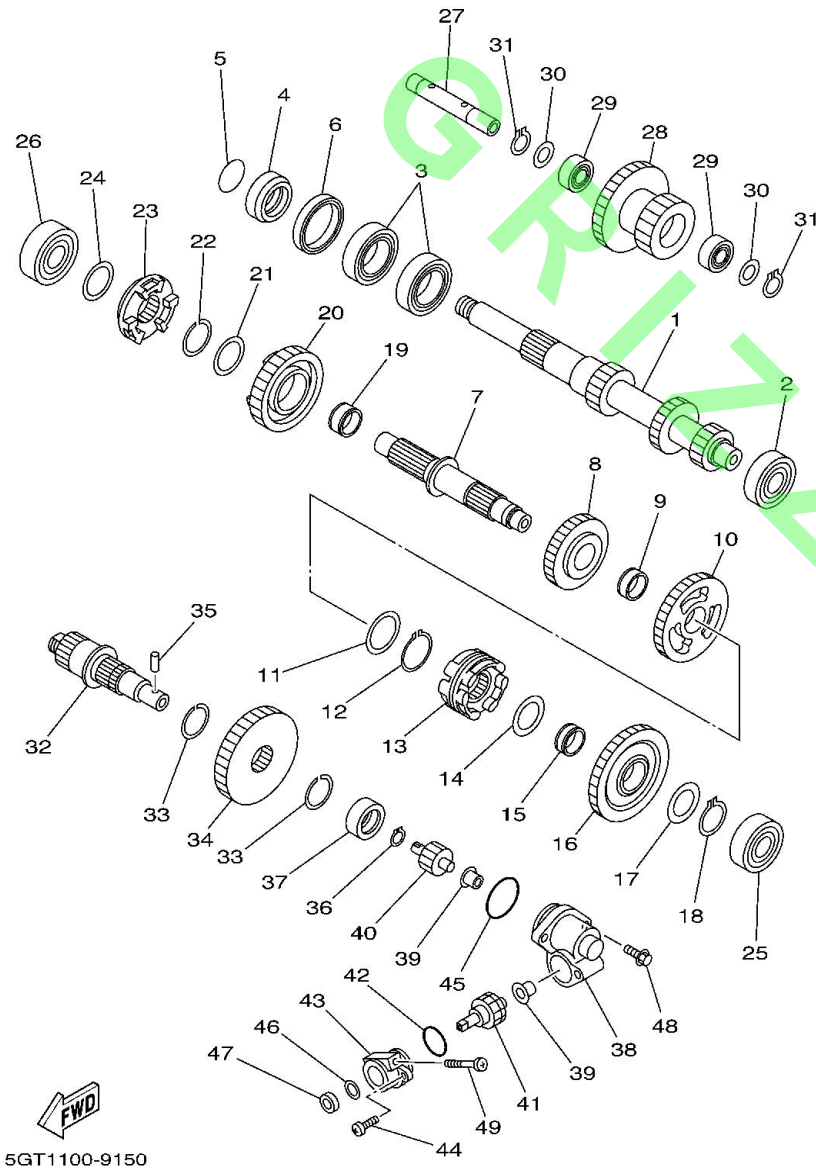
Ref. No.	Part No.	Description		Remarks
1	4XE-84710-00	TAILLIGHT UNIT ASSY	1	
2	3GD-84714-00	. BULB (12V-7.5W)	1	
3	1K8-84523-00	. GASKET, LENS	1	
4	3L6-84521-00	. LENS, TAILLIGHT	1	
5	2E9-84524-00	. SCREW, LENS FITTING	2	
6	90202-14077	WASHER, PLATE	2	
7	90480-14088	GROMMET	2	
8	90201-06074	WASHER, PLATE	4	
9	92907-06100	WASHER, SPRING	2	
10	90387-06595	COLLAR	2	
11	95307-06600	NUT	2	
12	3GH-84702-00	BRACKET, TAILLIGHT	1	
13	90202-14077	WASHER, PLATE	2	
14	90480-14088	GROMMET	2	
15	90387-06595	COLLAR	2	
16	90201-06074	WASHER, PLATE	2	
17	95807-06025	BOLT, FLANGE	2	

Fig. 15 TRANSMISSION



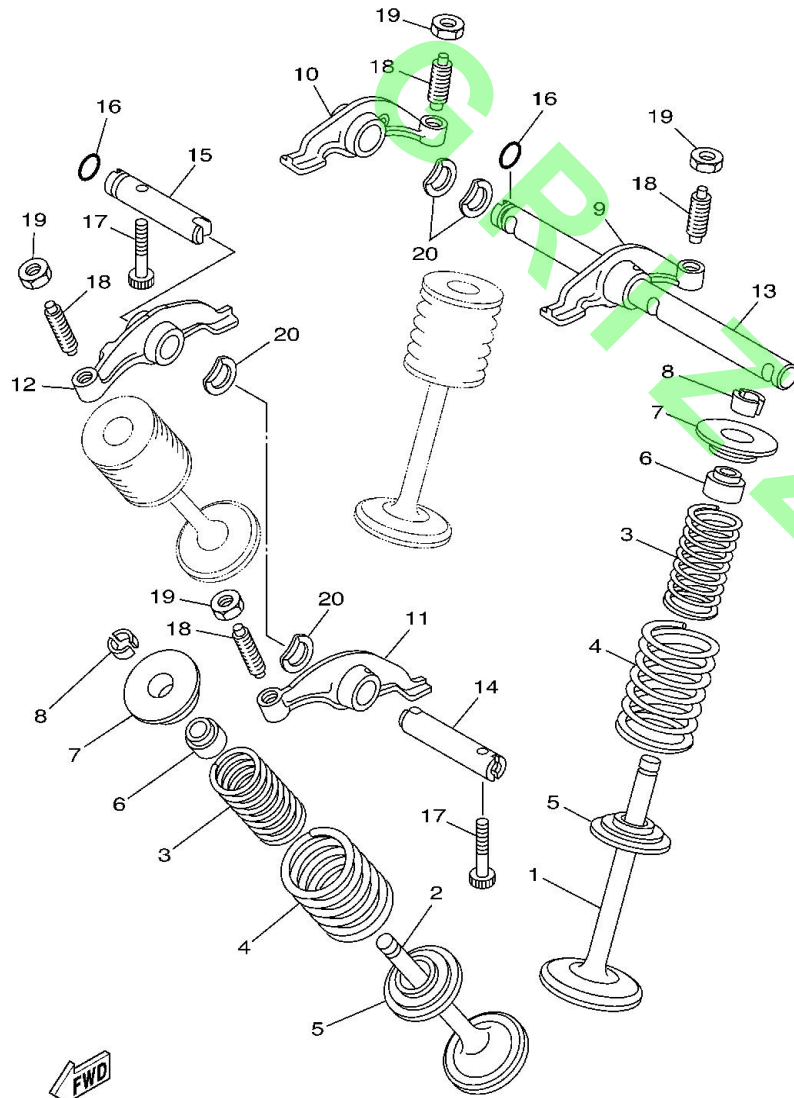
Ref. No.	Part No.	Description		Remarks
1	5GT-17681-00	SHAFT, SECONDARY	1	
2	93306-20434	BEARING (B6204)	1	
3	93306-00612	BEARING	2	
4	90387-2611X	COLLAR	1	
5	93210-26741	O-RING	1	
6	93102-42322	OIL SEAL	1	
7	5GT-17421-00	AXLE, DRIVE	1	
8	5GT-17582-00	GEAR, MIDDLE DRIVE (25 T)	1	
9	93310-32590	BEARING	1	
10	5GT-17223-00	GERA, HIGH WHEEL (30 T)	1	
11	90201-250R9	WASHER, PLATE	1	
12	93440-25084	CIRCLIP	1	
13	5GT-17285-00	CLUTCH, DOG	1	
14	90201-20278	WASHER, PLATE	1	
15	93310-420F2	BEARING	1	
16	5GT-17233-00	GEAR, LOW WHEEL (38 T)	1	
17	90201-20278	WASHER, PLATE	1	
18	93410-20038	CIRCLIP	1	
19	93310-32590	BEARING	1	
20	5GT-17253-00	GEAR, REVERSE WHEEL 2 (27 T)	1	
21	90201-250R9	WASHER, PLATE	1	
22	93440-25084	CIRCLIP	1	
23	5GT-17286-00	HOLDER	1	
24	90201-20278	WASHER, PLATE	1	
25	93306-30209	BEARING	1	
26	93306-30441	BEARING	1	
27	4WV-17432-00	AXLE, IDLE	1	

Fig. 15 TRANSMISSION



Ref. No.	Part No.	Description		Remarks
	28 4WV-17243-00	GEAR, REVERSE WHEEL 1	1	
	29 93311-51554	BEARING	2	
	30 90201-150U6	WASHER, PLATE	2	
	31 99009-15400	CIRCLIP	2	
	32 5GT-17523-00	SHAFT	1	
<hr/>				
	33 93440-25084	CIRCLIP	2	
	34 5GT-17583-00	GEAR, MIDDLE DRIVEN (34 T)	1	
	35 93603-14240	PIN, DOWEL	1	
	36 93440-14155	CIRCLIP	1	
	37 93311-42077	BEARING	1	
<hr/>				
	38 4WV-17811-00	HOUSING, TACHOMETER GEAR	1	
	39 90381-08002	BUSH, SOLID	2	
	40 4WV-17831-00	GEAR, DRIVE	1	
	41 4WV-17841-00	GEAR, DRIVEN	1	
	42 93210-24253	O-RING	1	
<hr/>				
	43 59V-17811-00	HOUSING, TACHOMETER GEAR	1	
	44 98507-06016	SCREW, PAN HEAD	1	
	45 93210-32172	O-RING	1	
	46 90201-12163	WASHER, PLATE	1	
	47 93102-08307	OIL SEAL	1	
<hr/>				
	48 95027-06020	BOLT, FLANGE	2	
	49 98507-06030	SCREW, PAN HEAD	1	
<hr/>				

Fig. 04 VALVE



 4WV1100-8040

Ref. No.	Part No.	Description	Remarks
	1 4WV-12111-00	VALVE, INTAKE	2
	2 4WV-12121-00	VALVE, EXHAUST	2
	3 5Y1-12113-00	SPRING, VALVE INNER	4
	4 5Y1-12114-00	SPRING, VALVE OUTER	4
	5 4H7-12116-00	SEAT, VALVE SPRING	4
	6 1J7-12119-01	SEAL, VALVE STEM	4
	7 2F3-12117-00	RETAINER, VALVE SPRING	4
	8 1J7-12118-00	COTTER, VALVE	8
	9 34K-12151-00	ARM, VALVE ROCKER	1
	10 34K-12161-00	ARM, VALVE ROCKER 2	1
	11 4WV-12162-00	ARM, VALVE ROCKER 3	1
	12 34K-12163-00	ARM, VALVE ROCKER 4	1
	13 2NX-12146-00	SHAFT, ROCKER	1
	14 2NX-12156-00	SHAFT, ROCKER 2	1
	15 2NX-12166-00	SHAFT, ROCKER 3	1
	16 93210-08521	O-RING	2
	17 90109-063E8	BOLT	2
	18 2NX-12159-00	SCREW, VALVE ADJUSTING	4
	19 90170-06128	NUT	4
	20 90206-12075	WASHER, WAVE	4